

Mysteries of Coupled Multivibrators

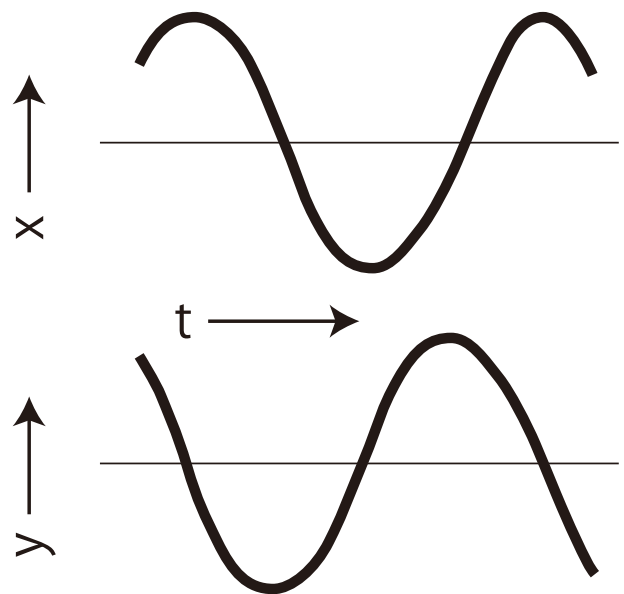
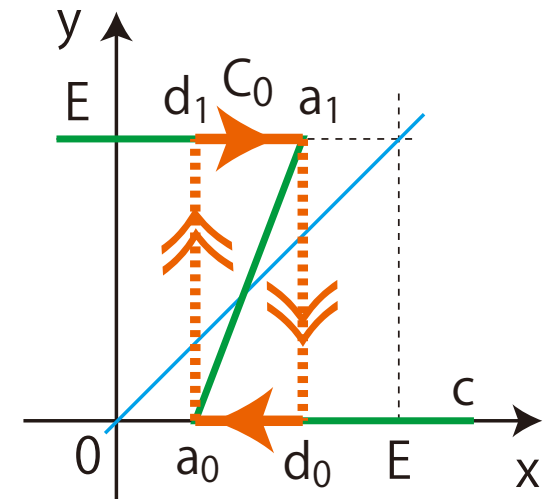
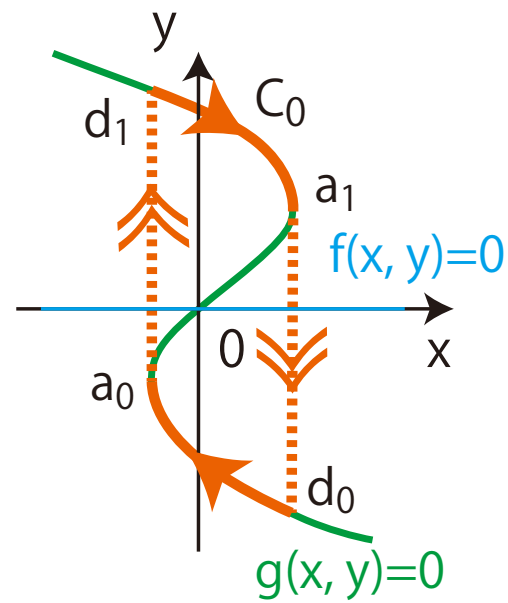
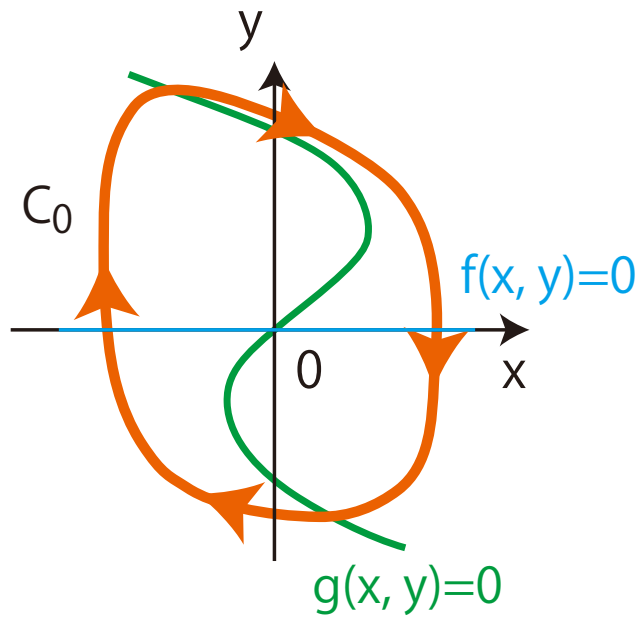
Part I Circuit Examples

[http://cms.db.tokushima-u.ac.jp/DAV/person/S10723/NBA2016/
MysteriesOfMV.pdf](http://cms.db.tokushima-u.ac.jp/DAV/person/S10723/NBA2016/MysteriesOfMV.pdf)

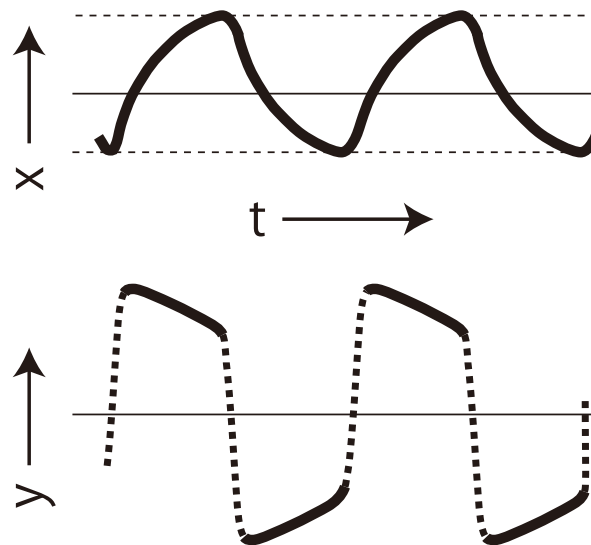
H. Kawakami and T. Ueta

2016/12/17

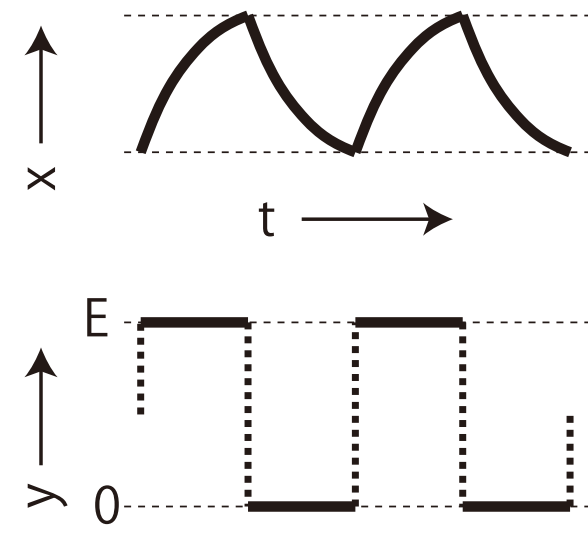
Oscillator



(a)



(b)



(c)

Contents

Part I Circuit Examples NBA2016

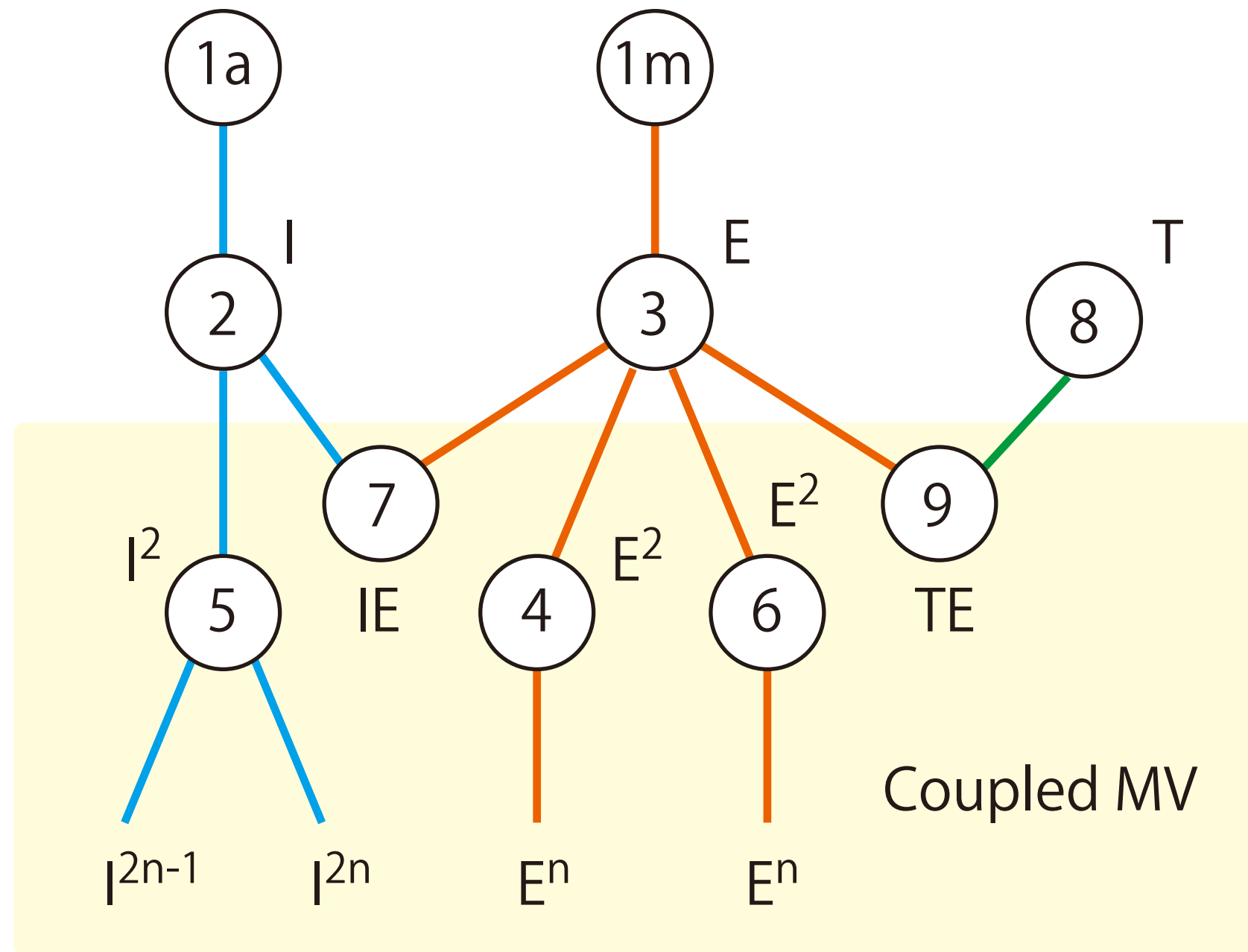
1. Op amp multivibrators
2. Coupled multivibrators

Appendix A Experiments

Part II Qualitative Analysis NBA2017

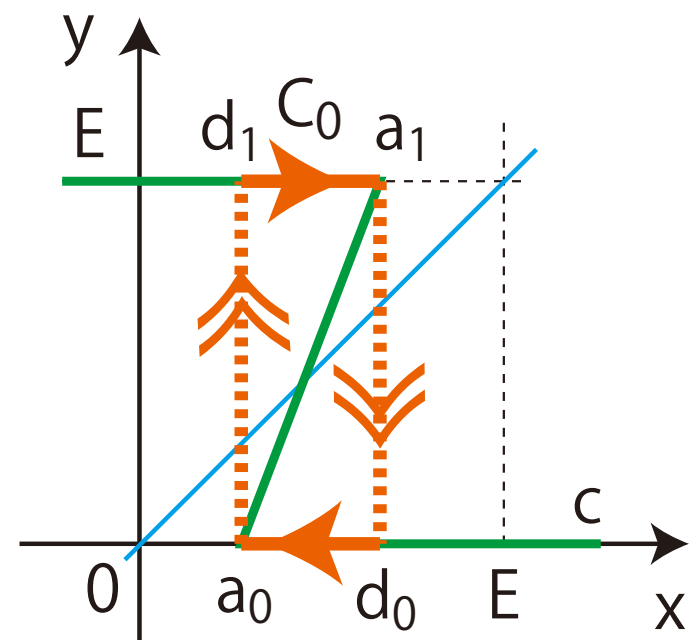
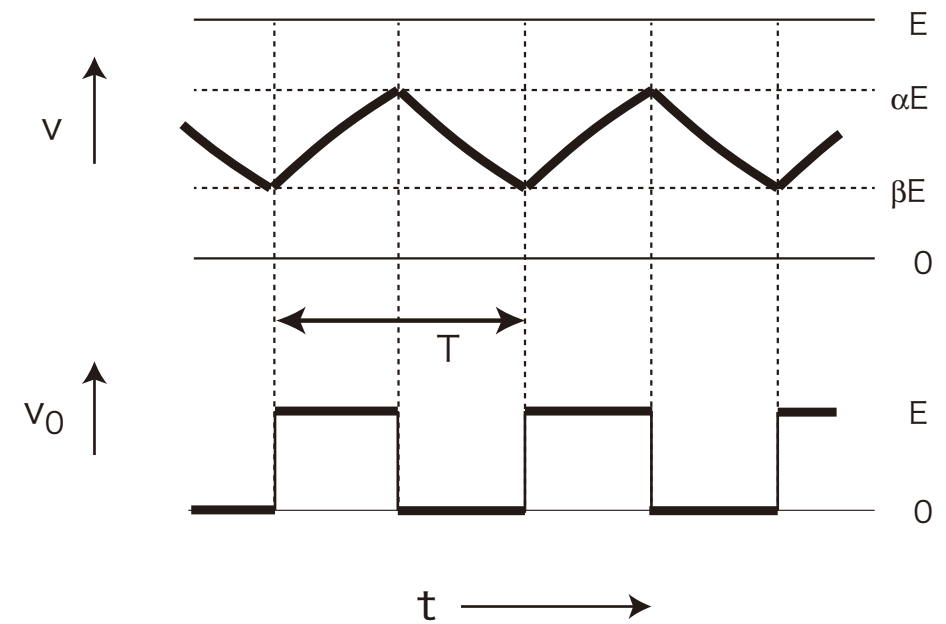
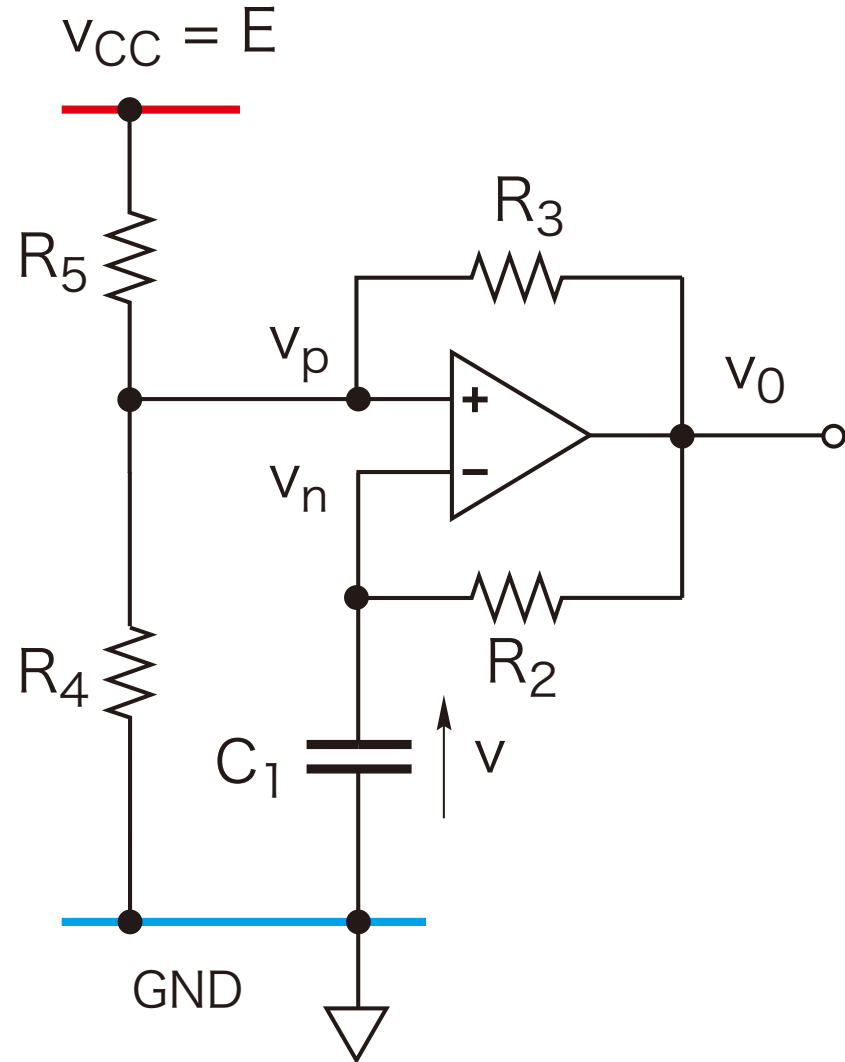
1. Op amp multivibrators

classification of multivibrators



multivibrator 1a

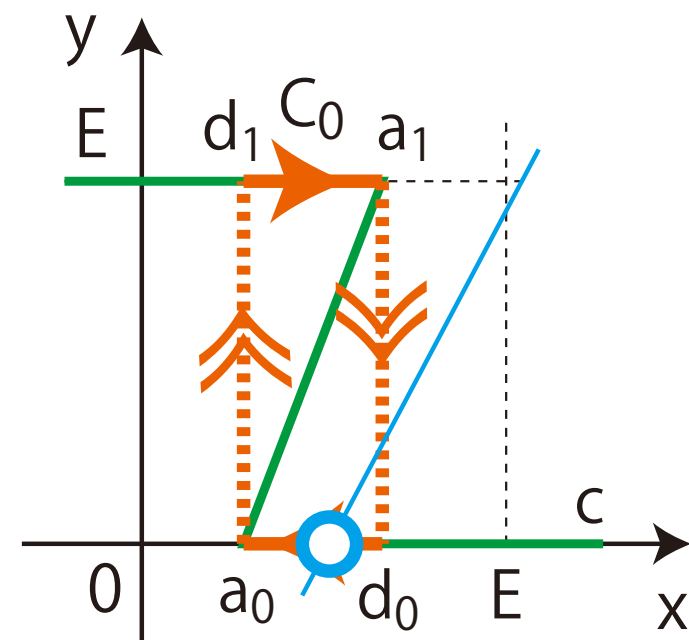
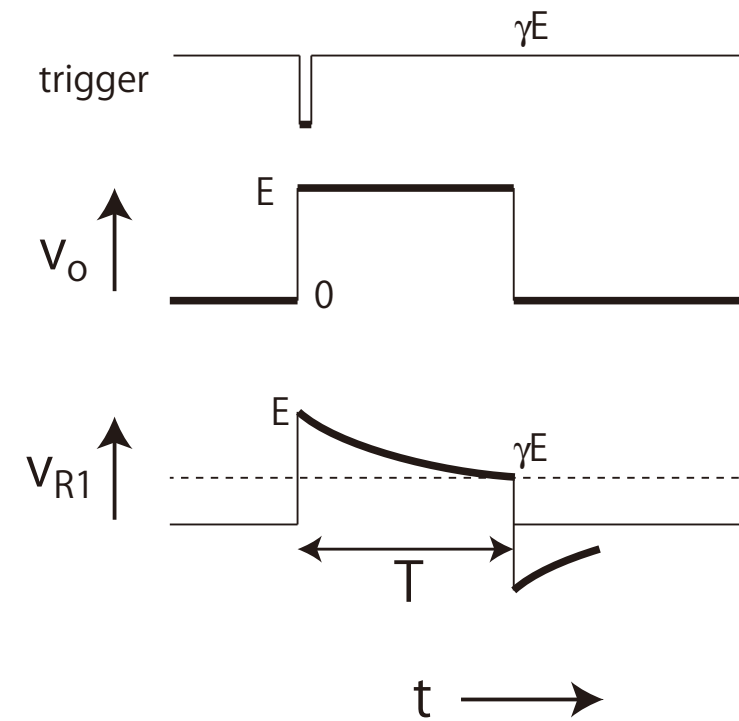
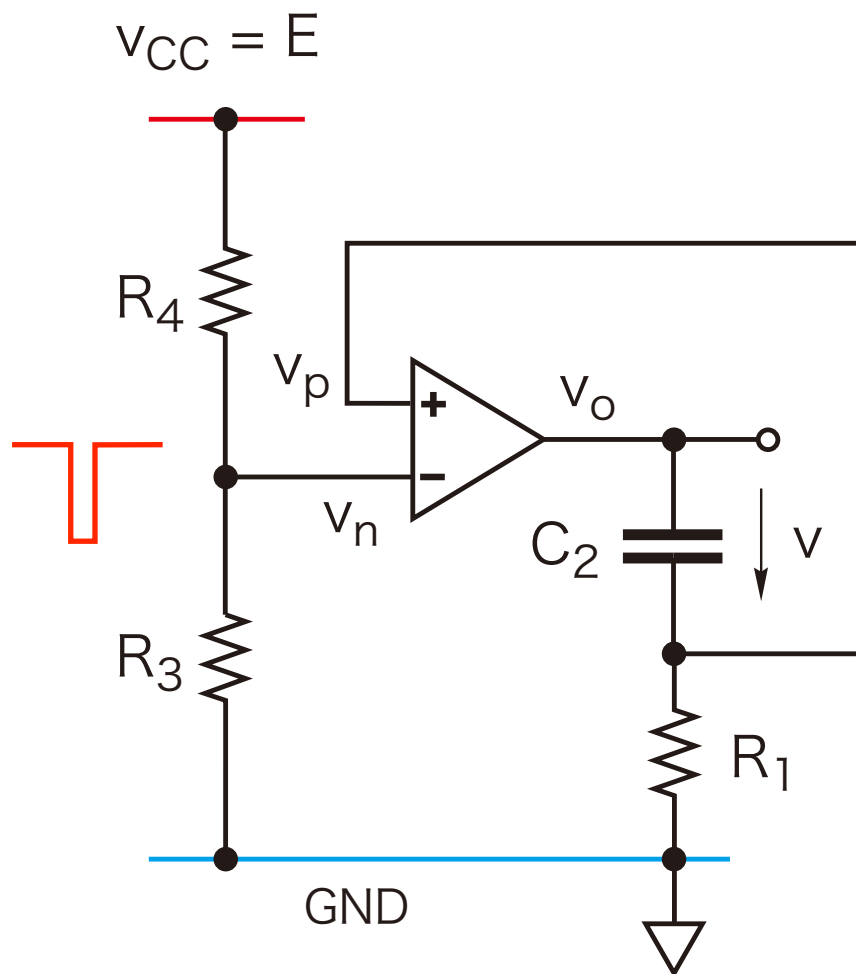
astable



multivibrator

1m

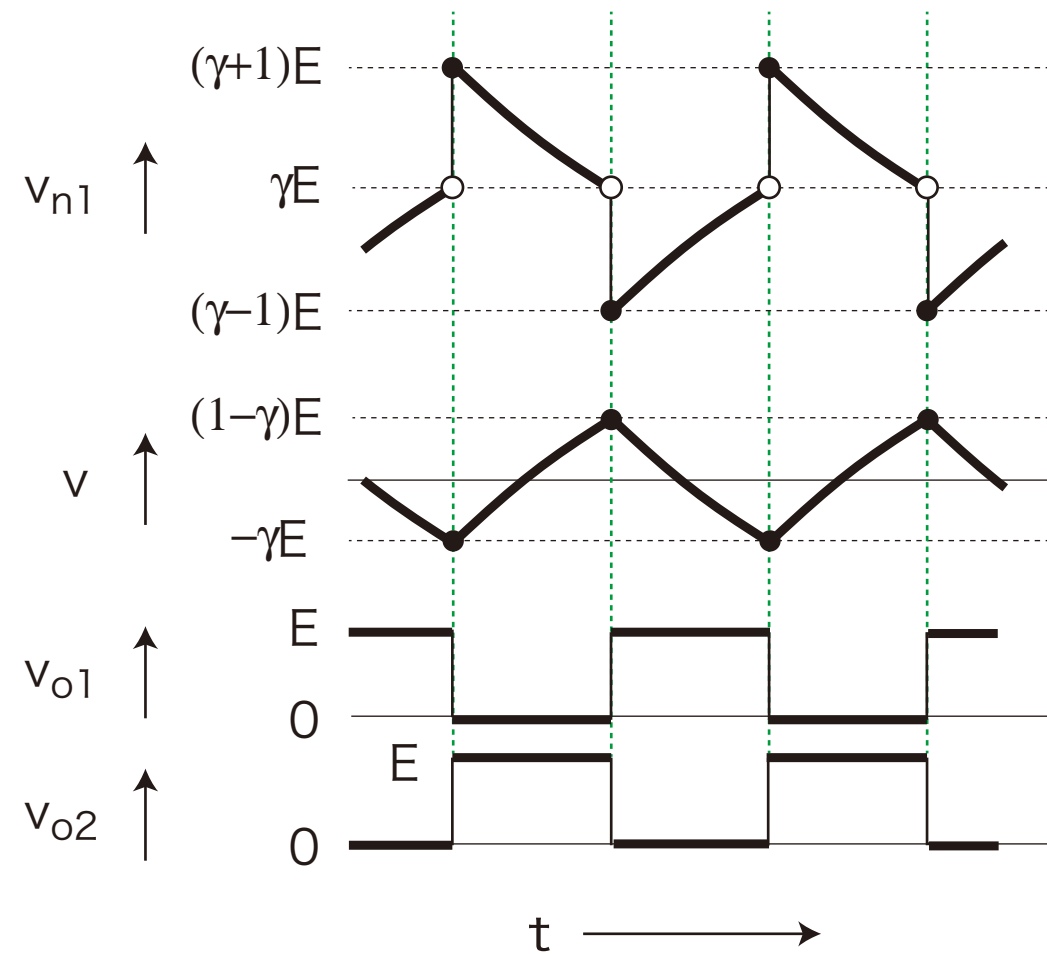
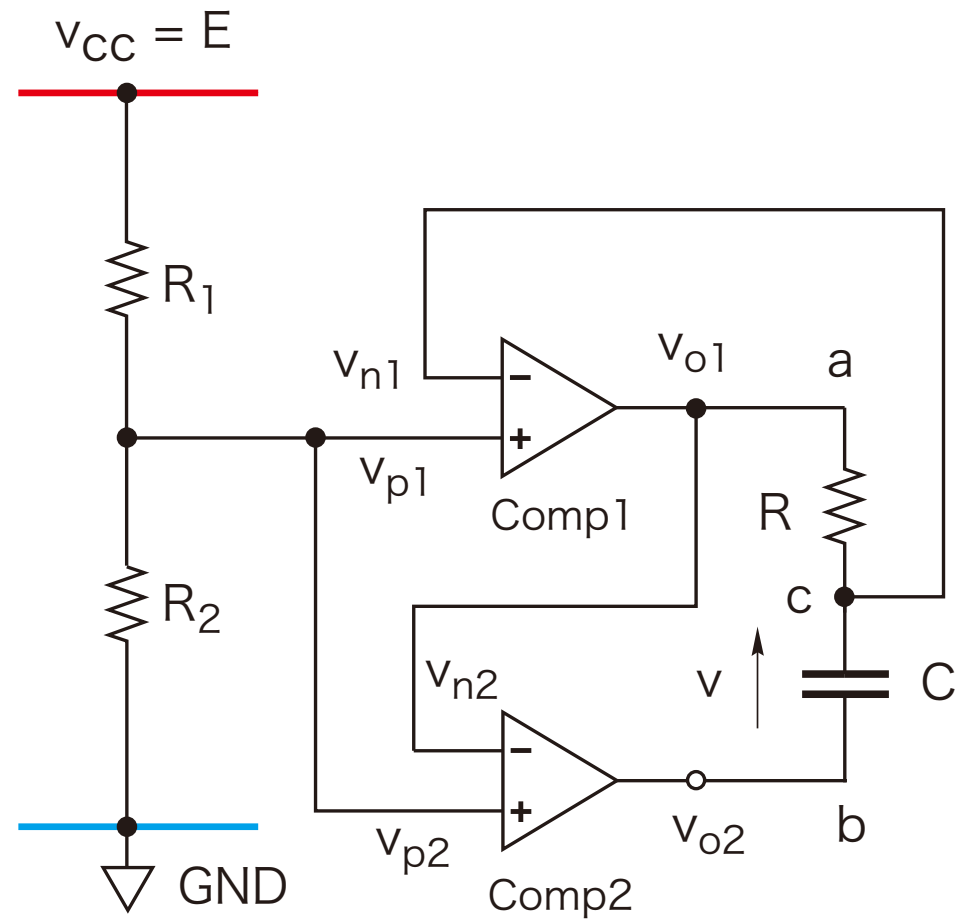
monostable



multivibrator

2

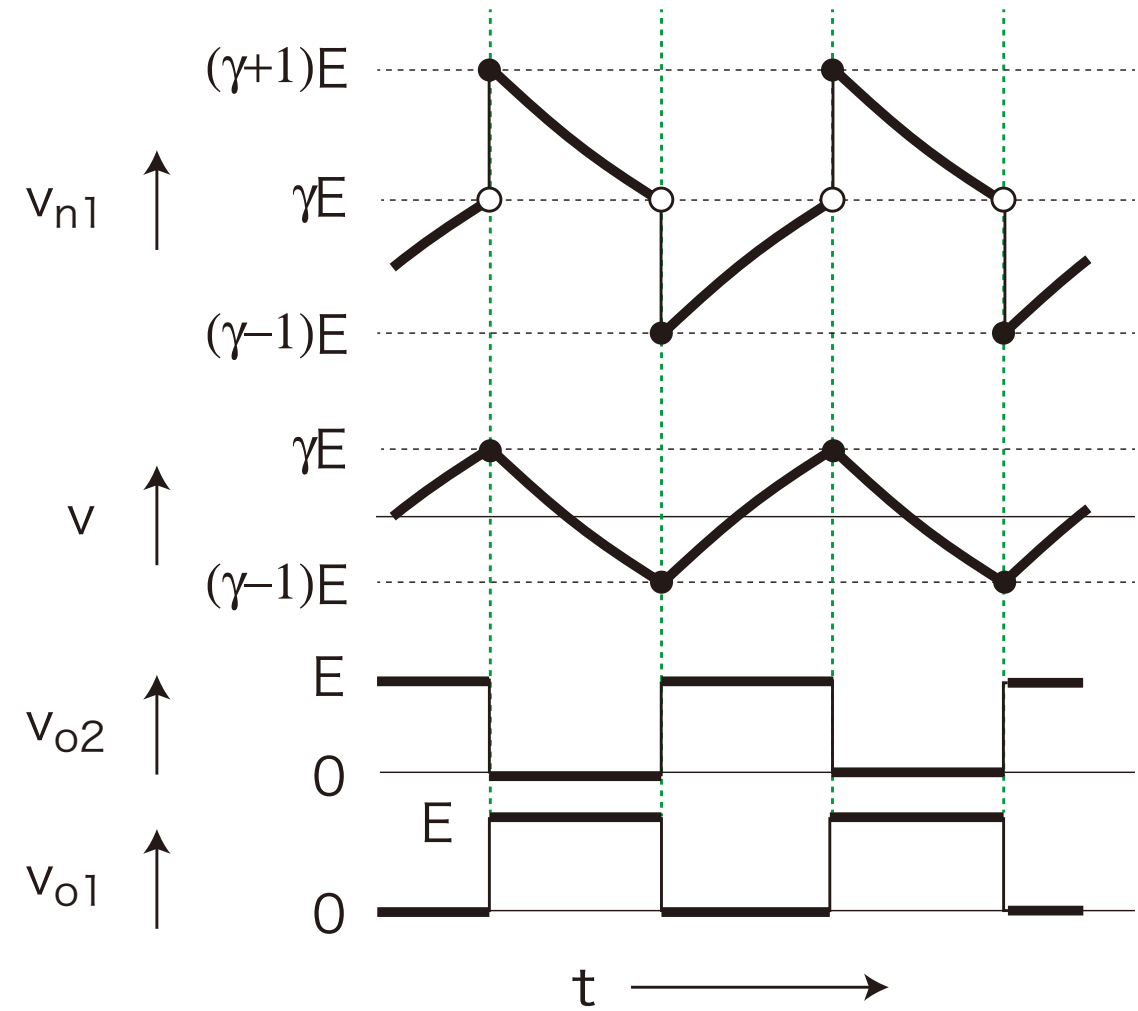
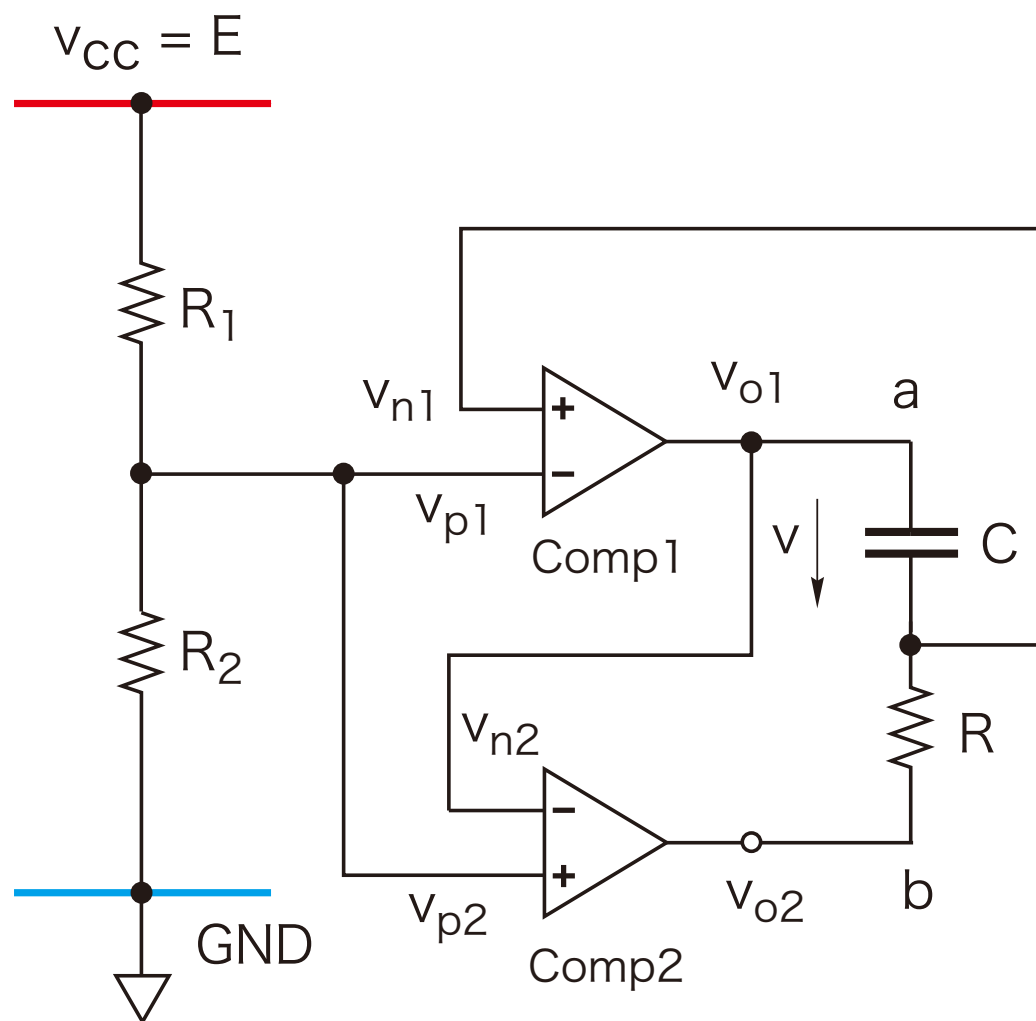
astable



multivibrator

3

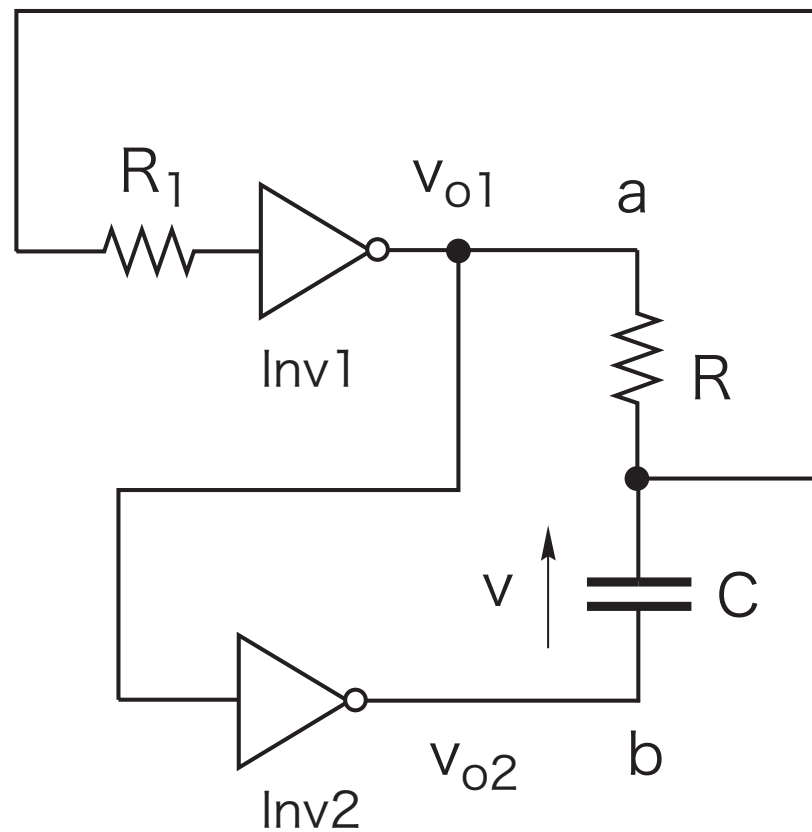
astable



Square wave oscillators

inhibitory neuron

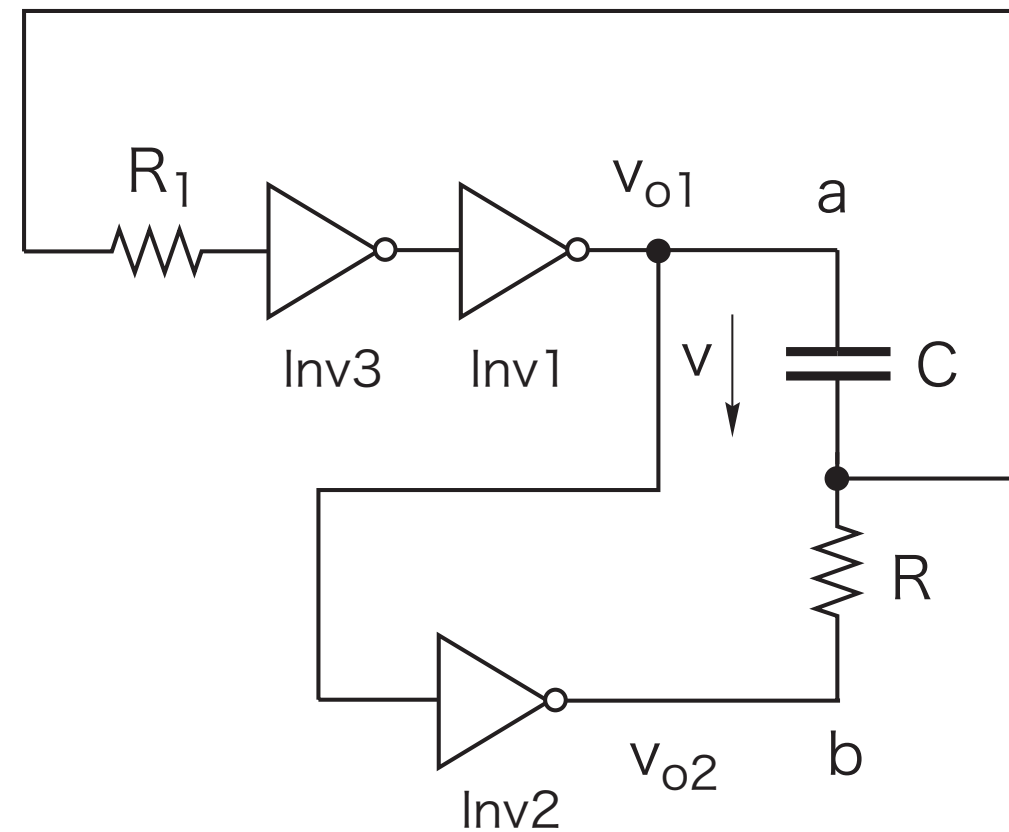
②



(a)

excitatory neuron

③

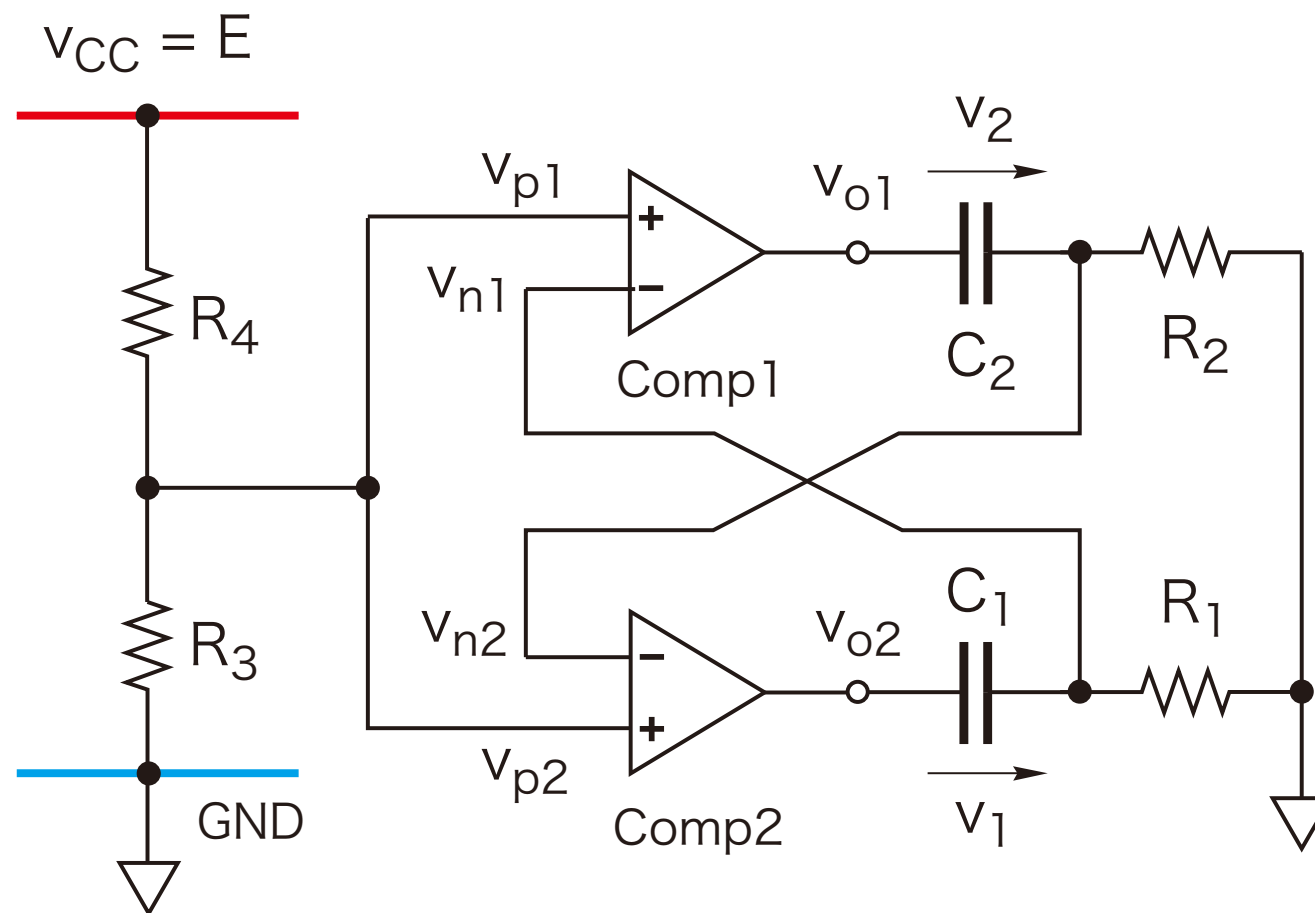


(b)

multivibrator

4

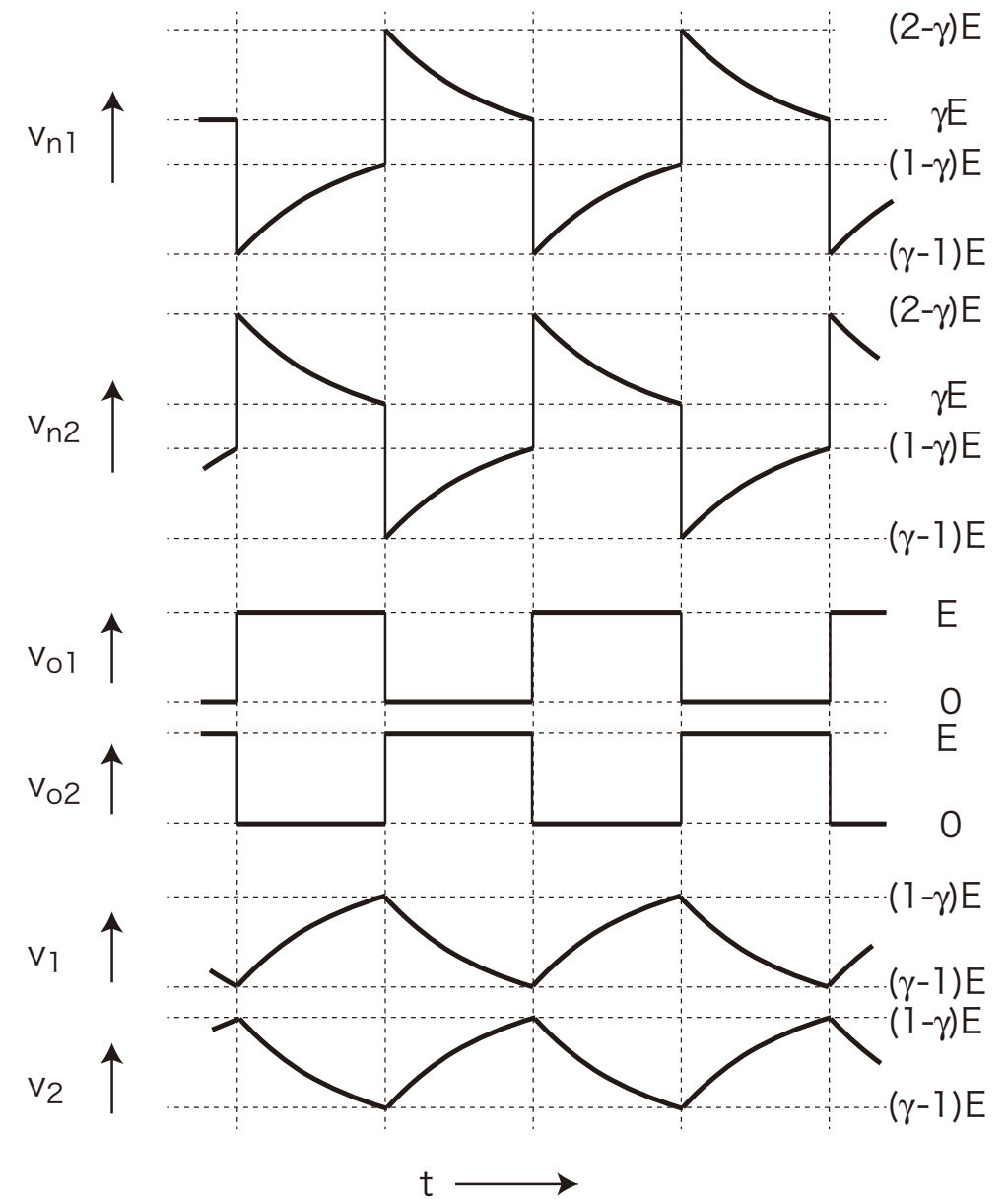
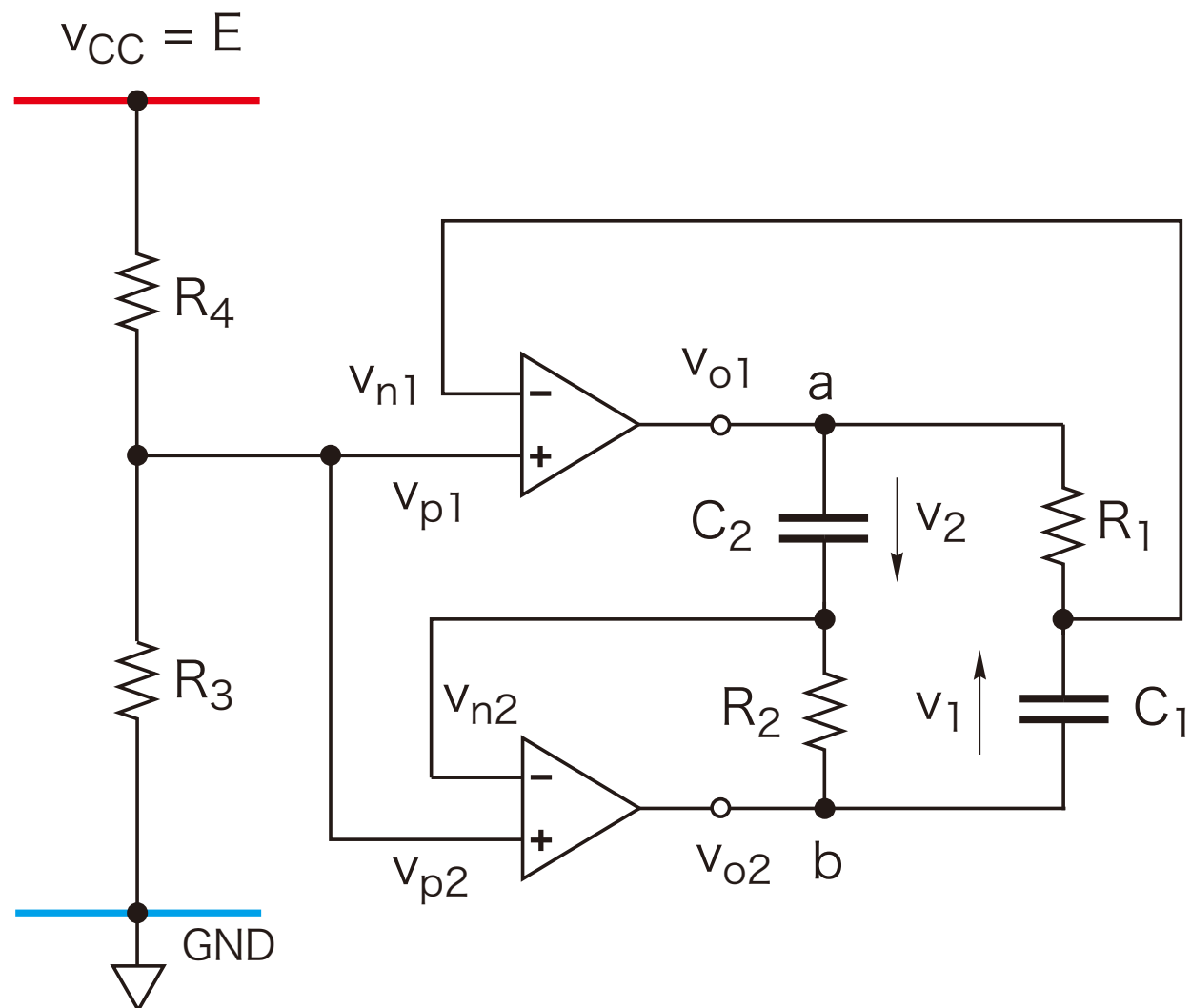
astable : anti-phase



multivibrator

5

astable : anti-phase

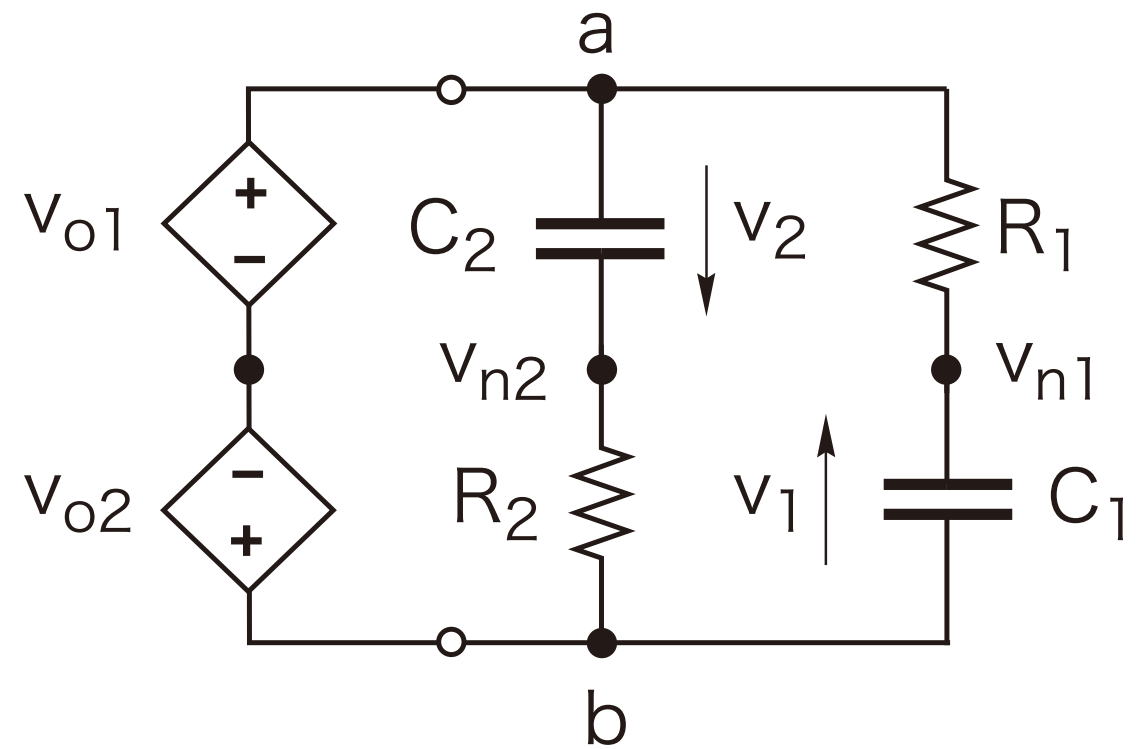
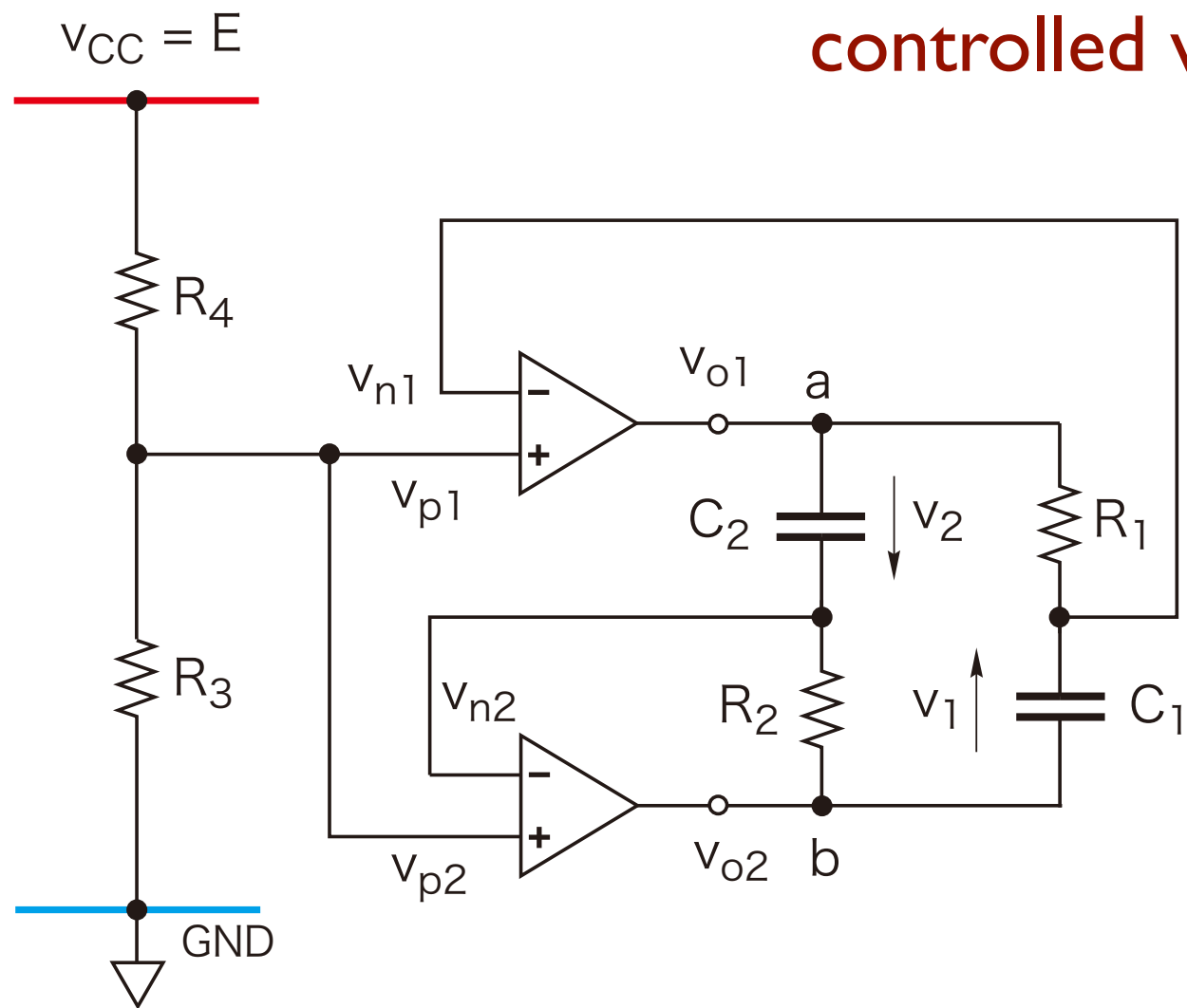


multivibrator

5

astable : anti-phase

a linear RC circuit with voltage-controlled voltage sources



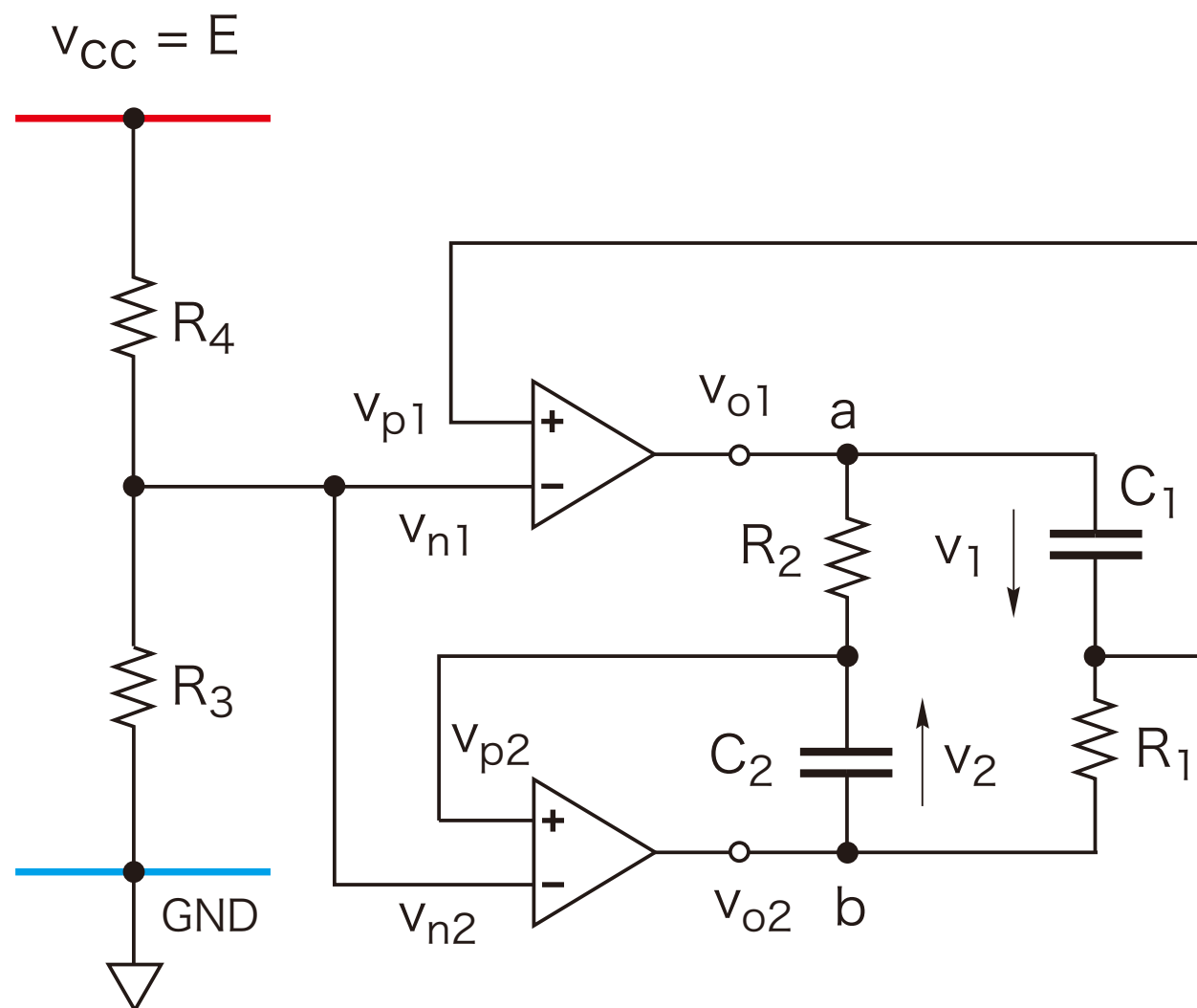
$$v_{o1} = (v_{d1} > 0)?E : 0$$

$$v_{o2} = (v_{d2} > 0)?E : 0$$

multivibrator



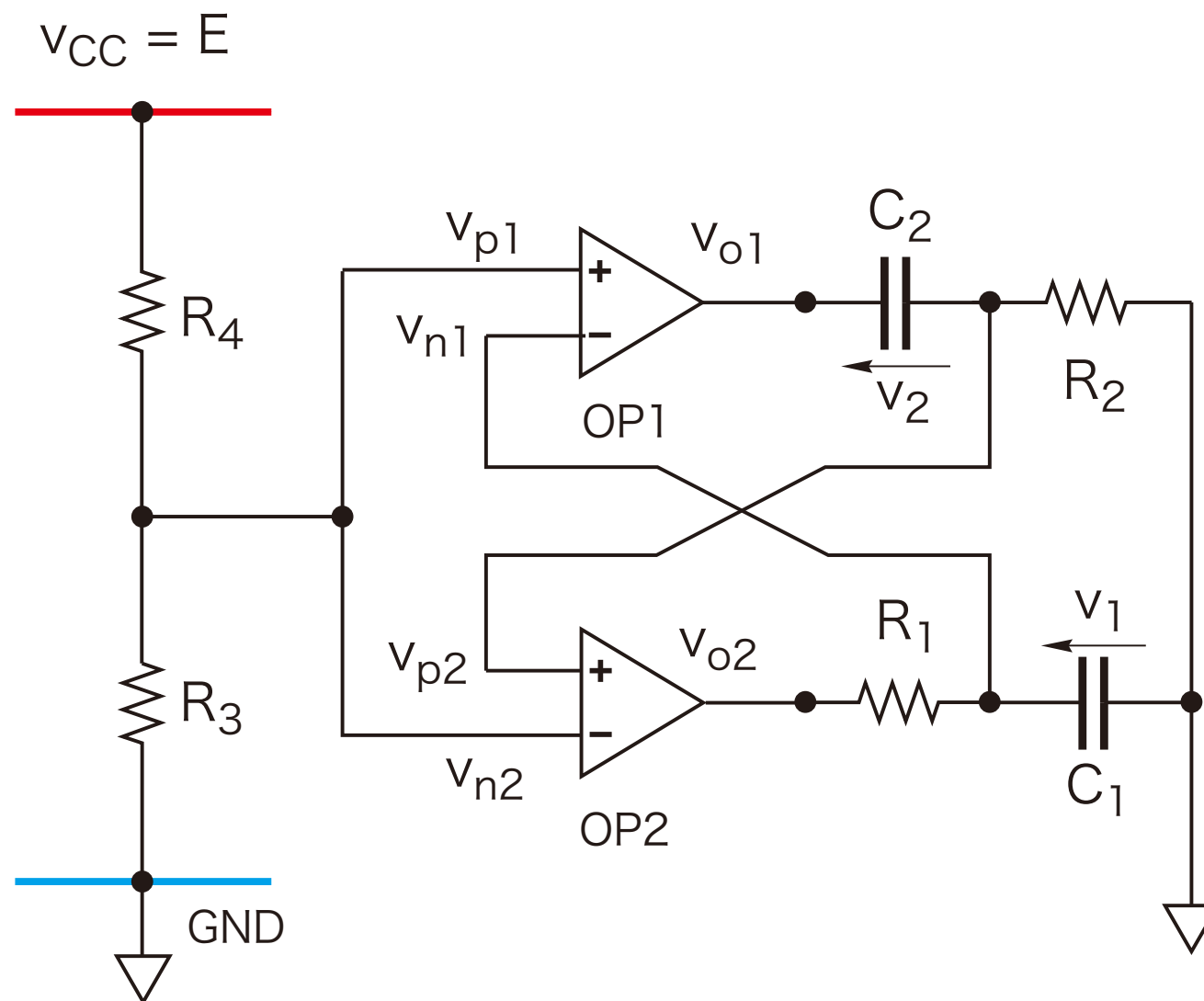
tri-stable : (0, 0), (E, E), anti-phase



multivibrator

7

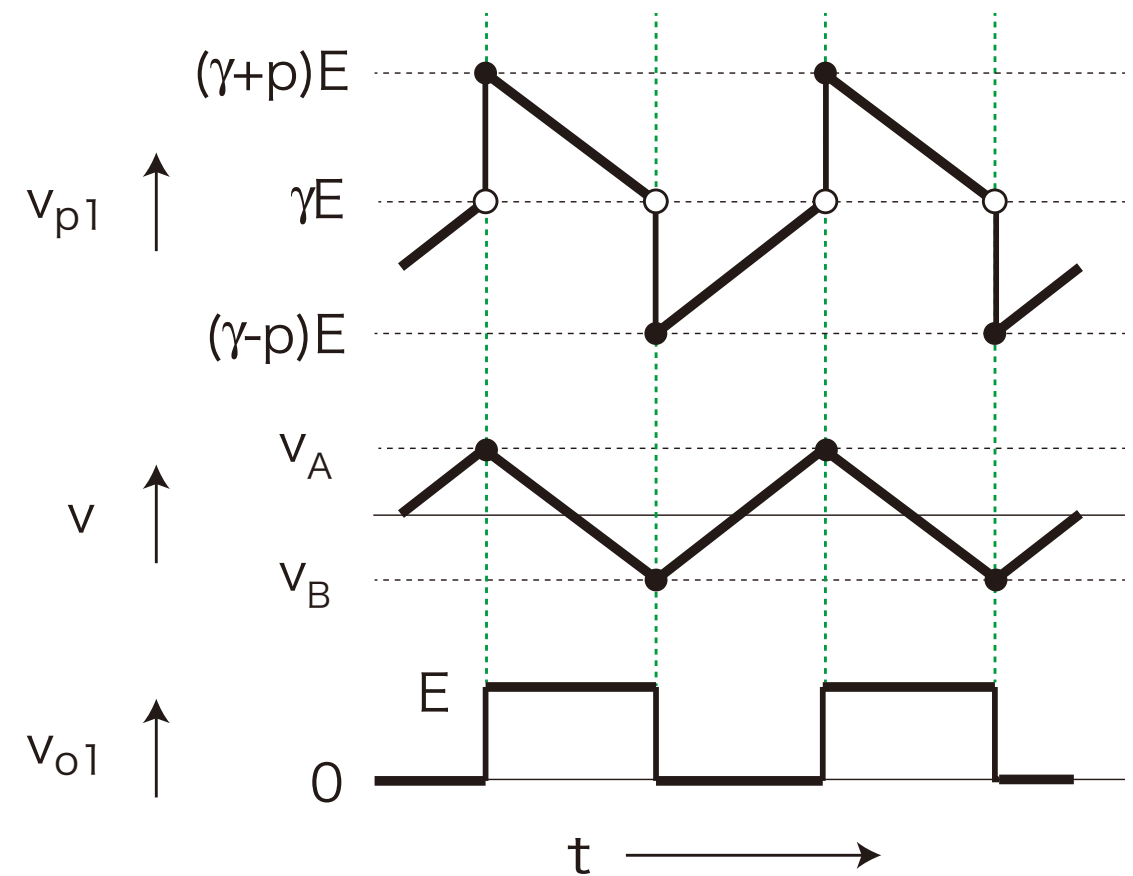
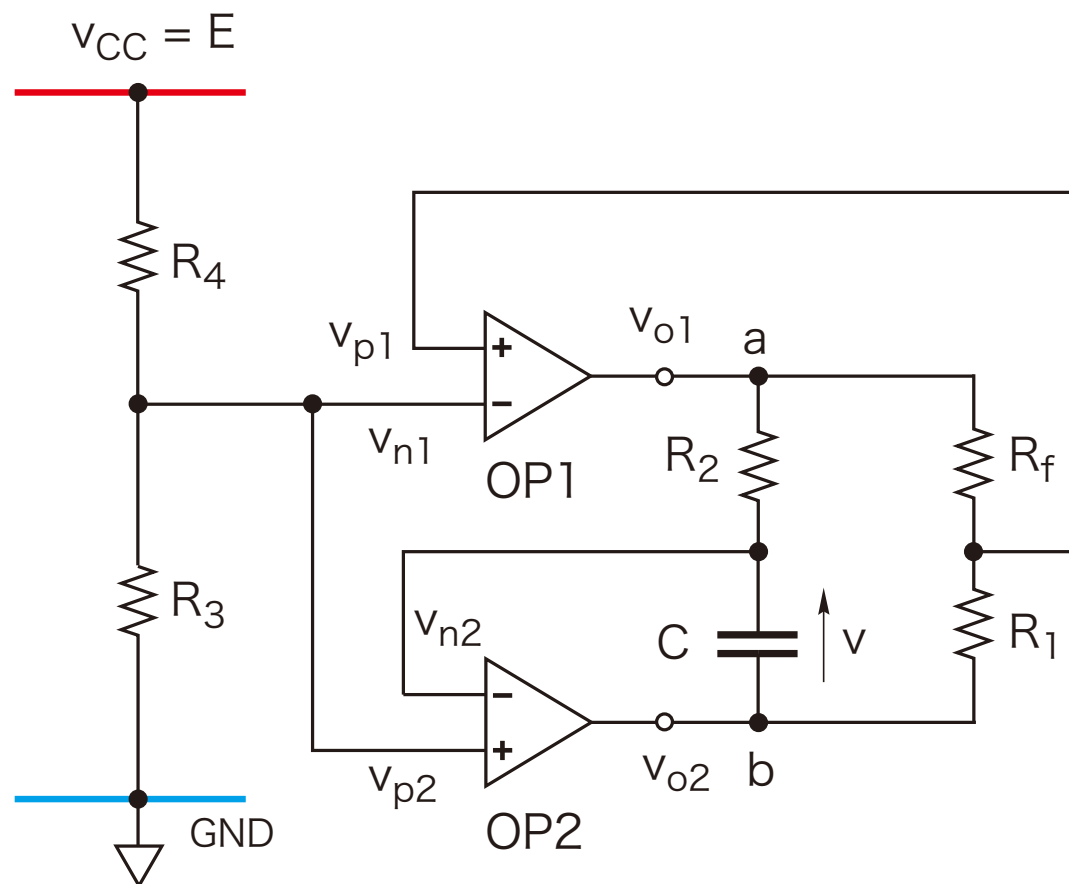
astable



multivibrator



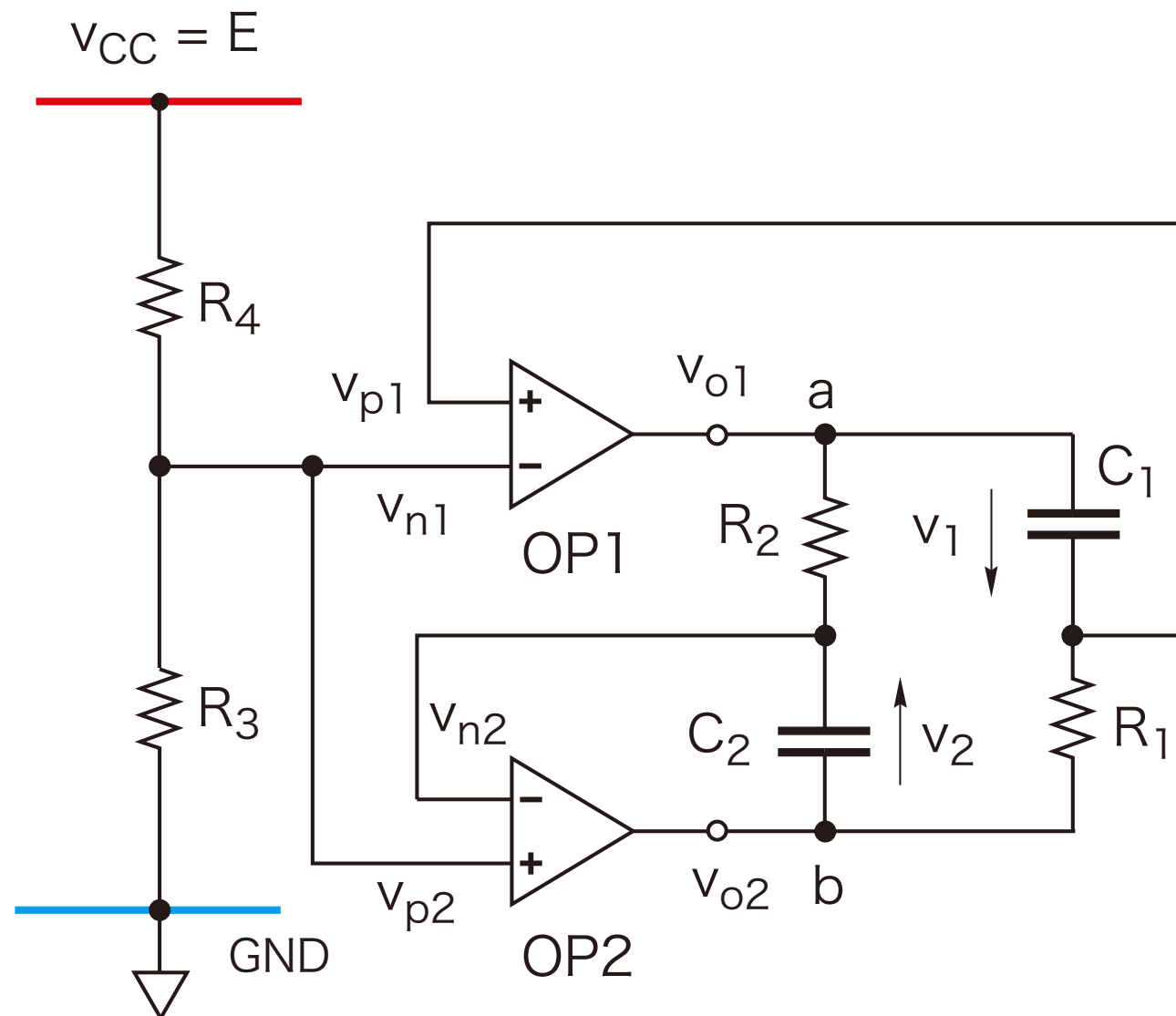
astable : triangular wave form



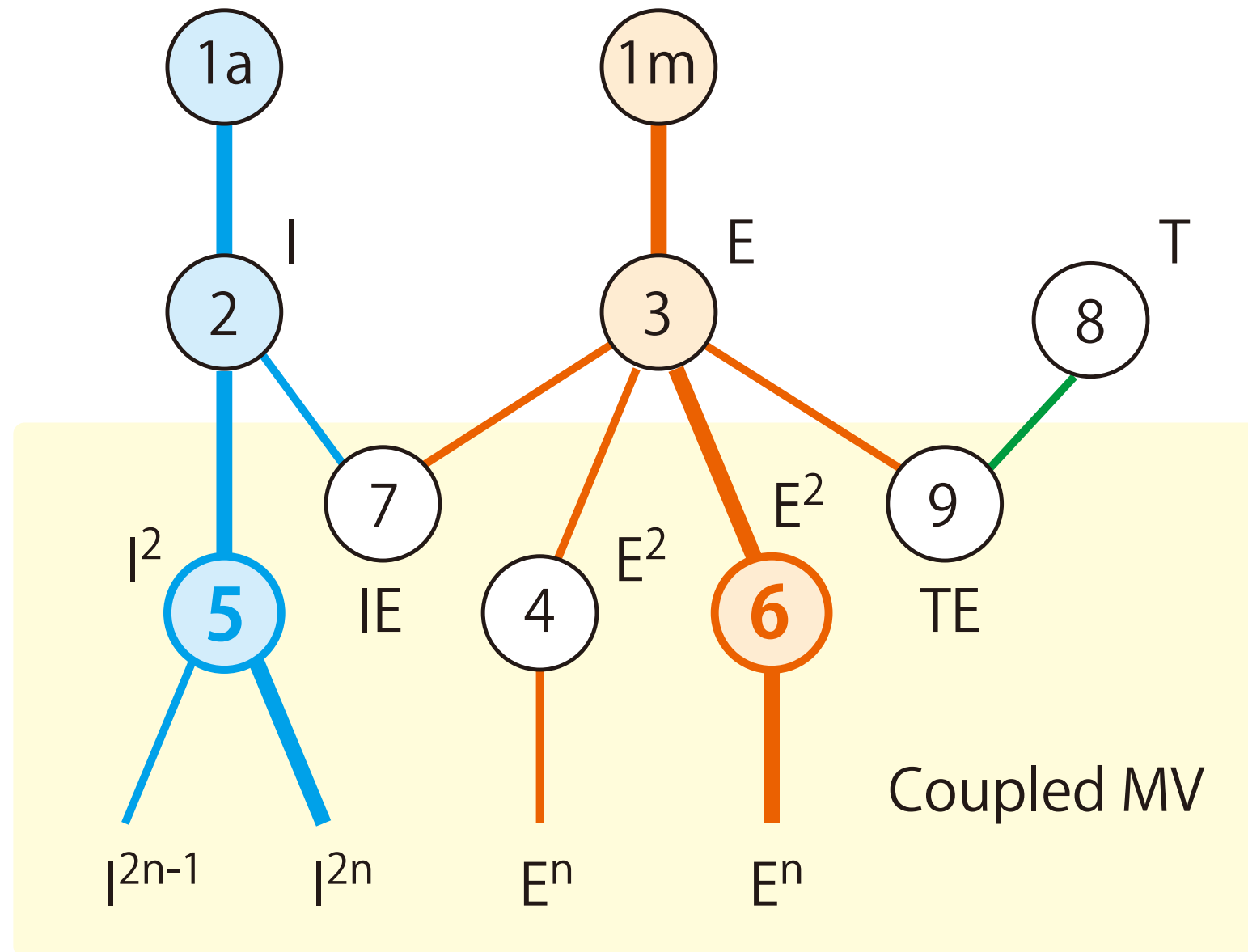
multivibrator



triangular wf



classification of multivibrators

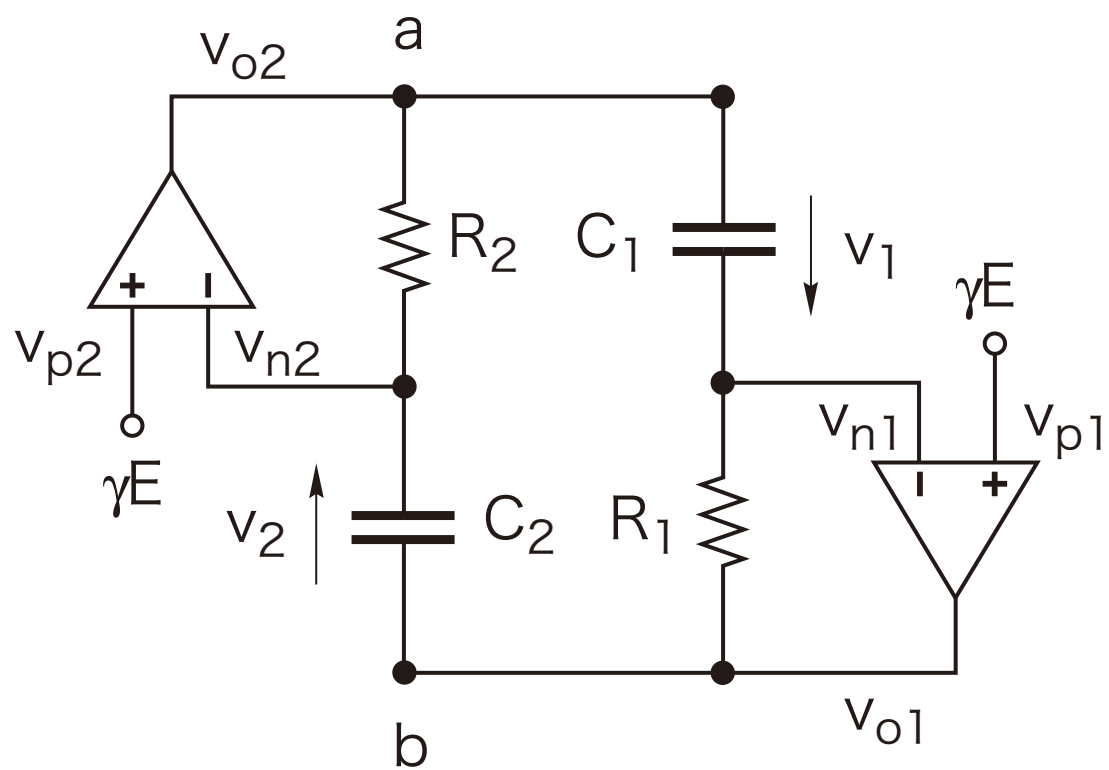


Two kinds of multivibrators appear!

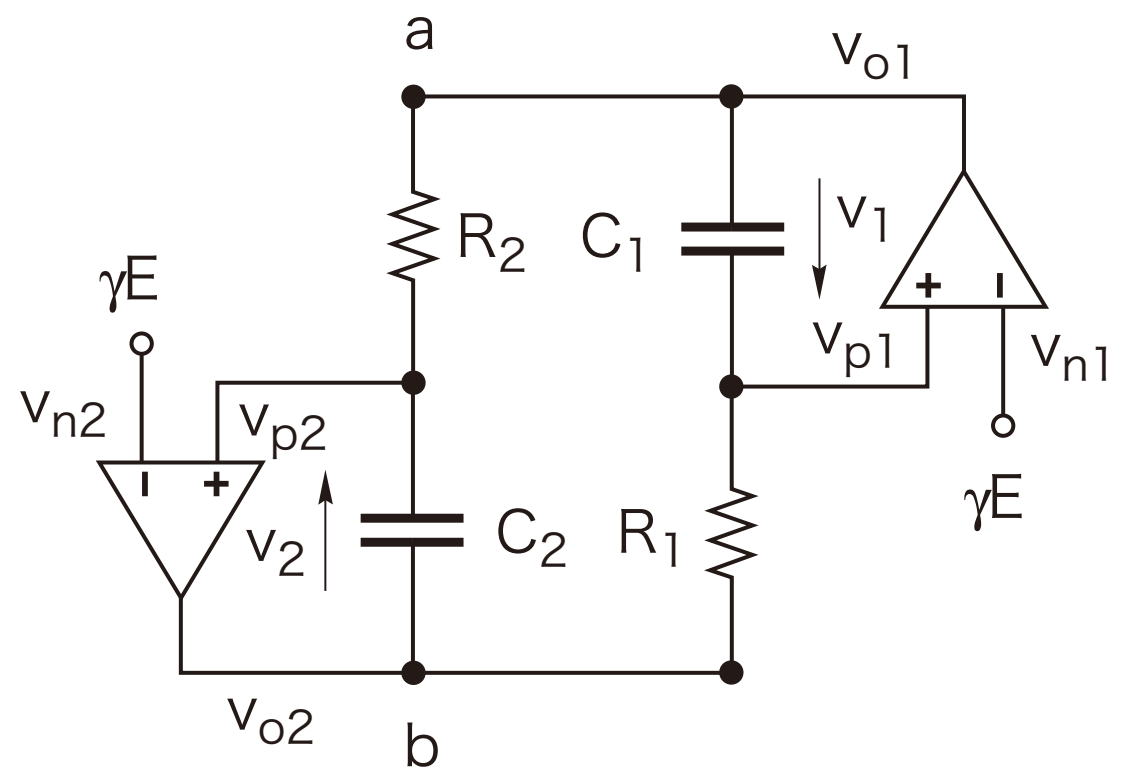
2. Coupled multivibrators

ring connection

5

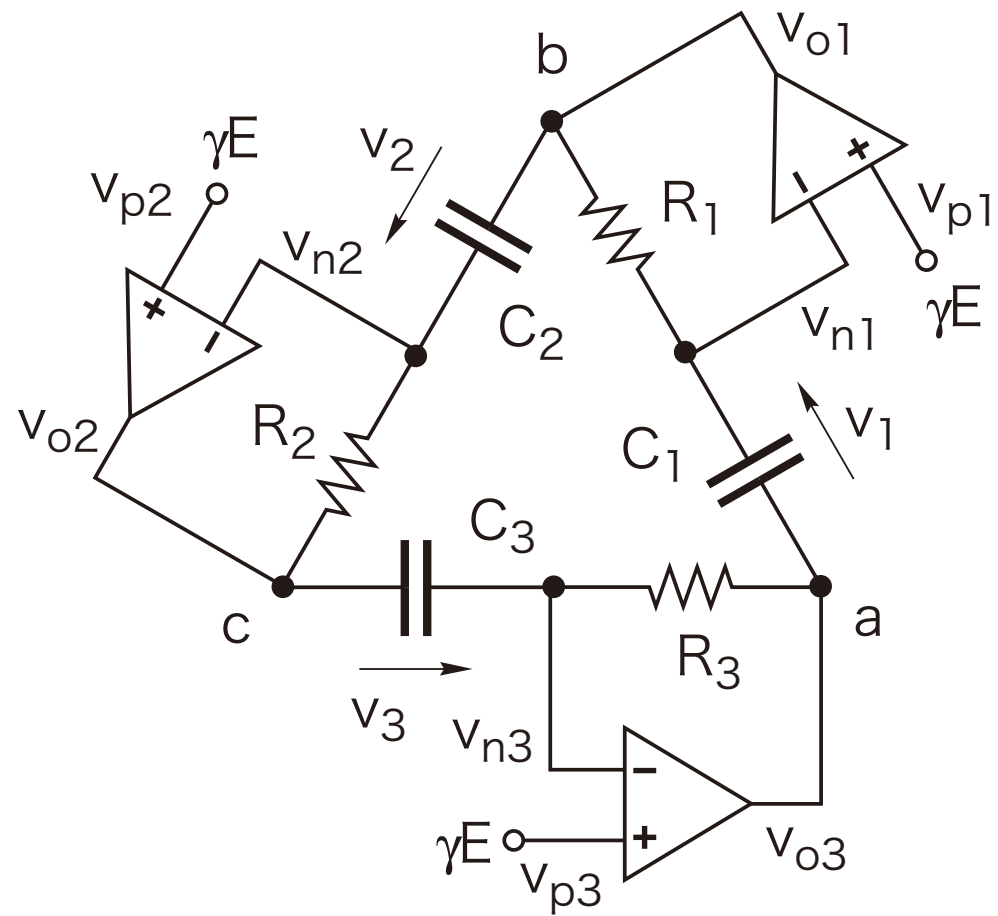


6

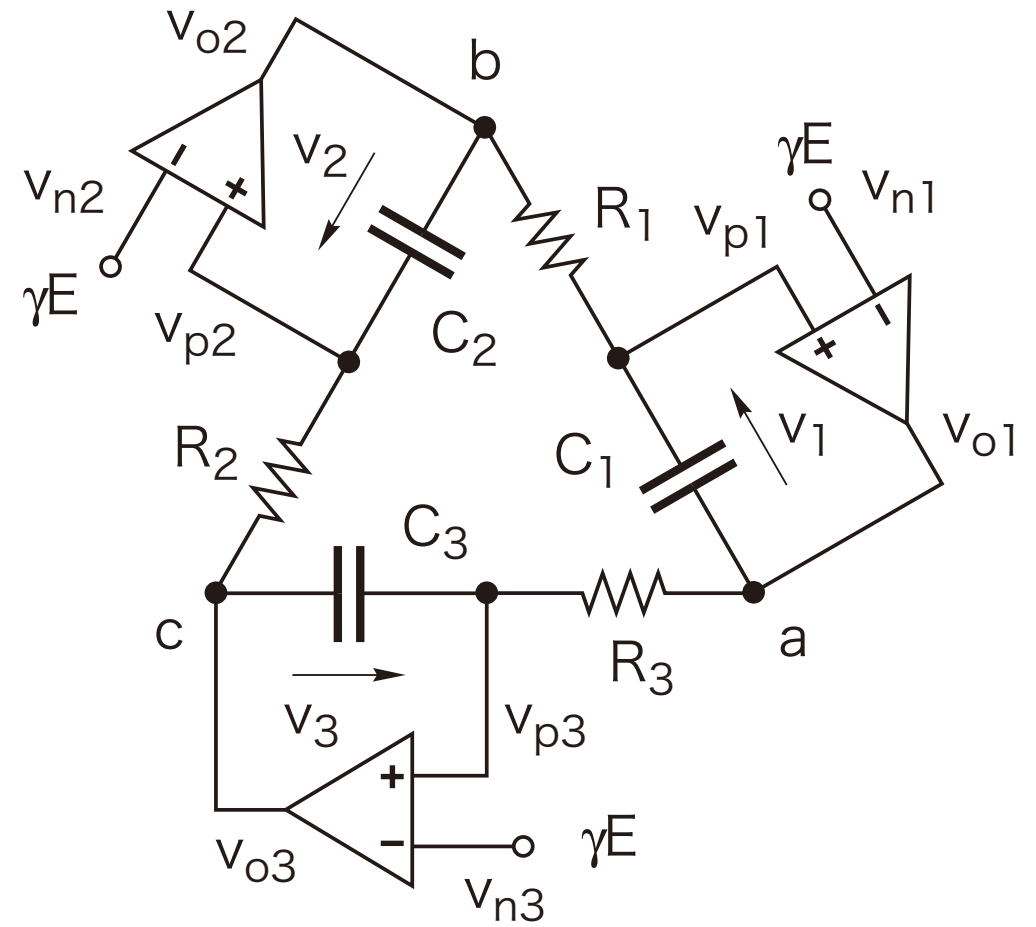


ring connection

5



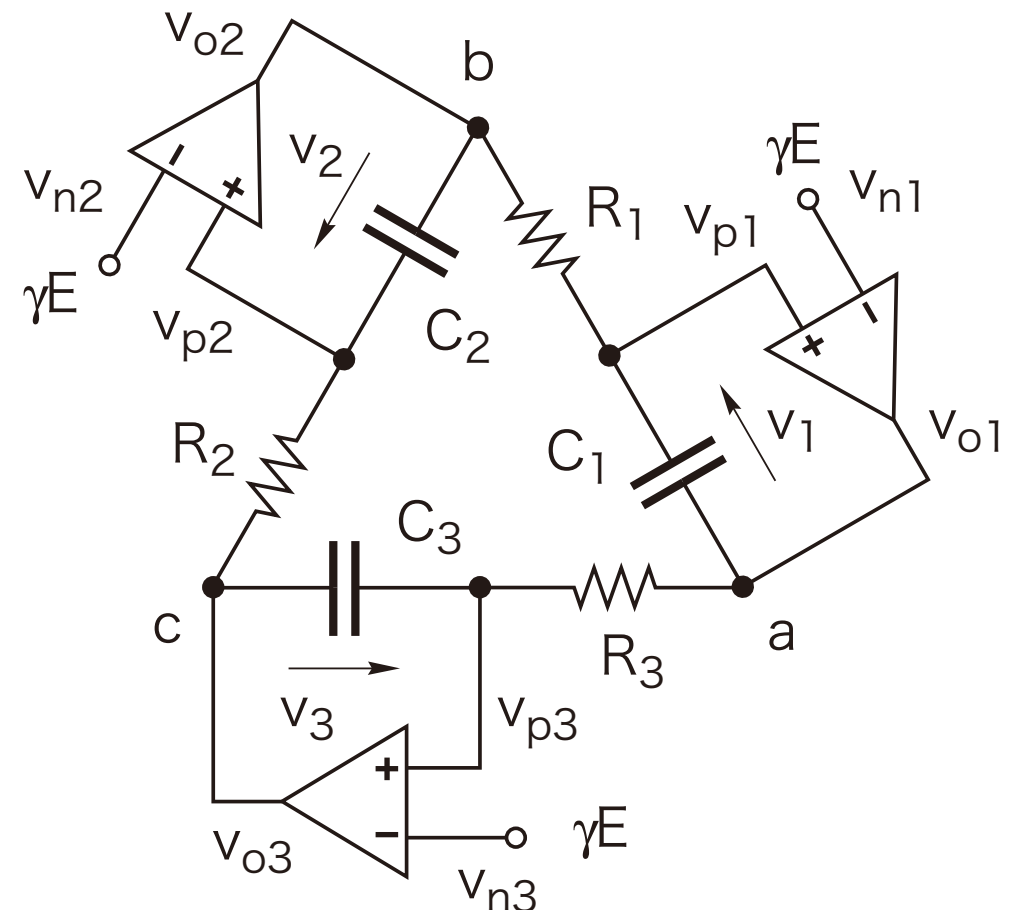
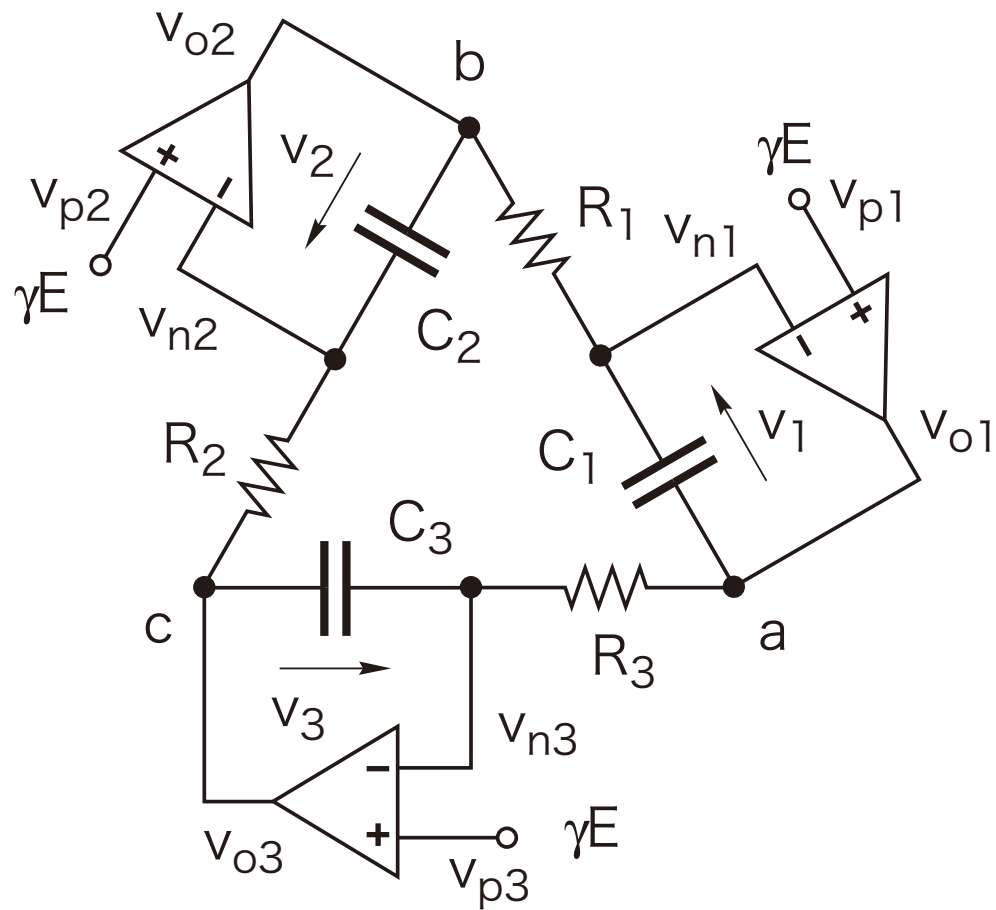
6



ring connection

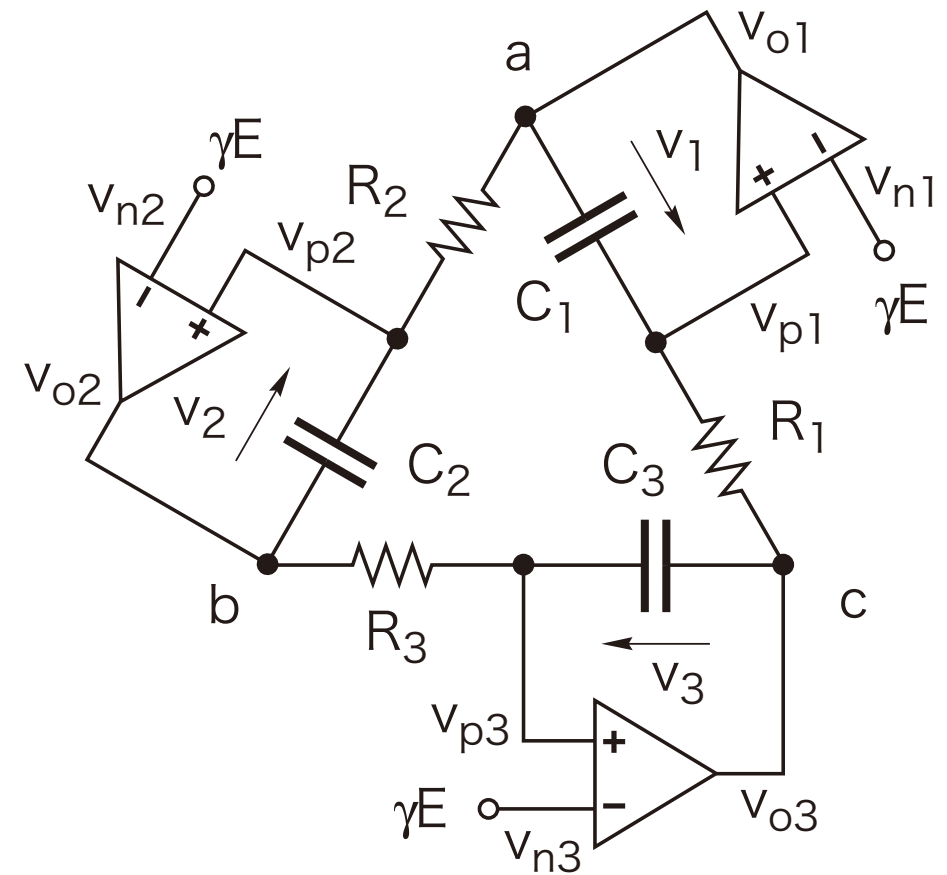
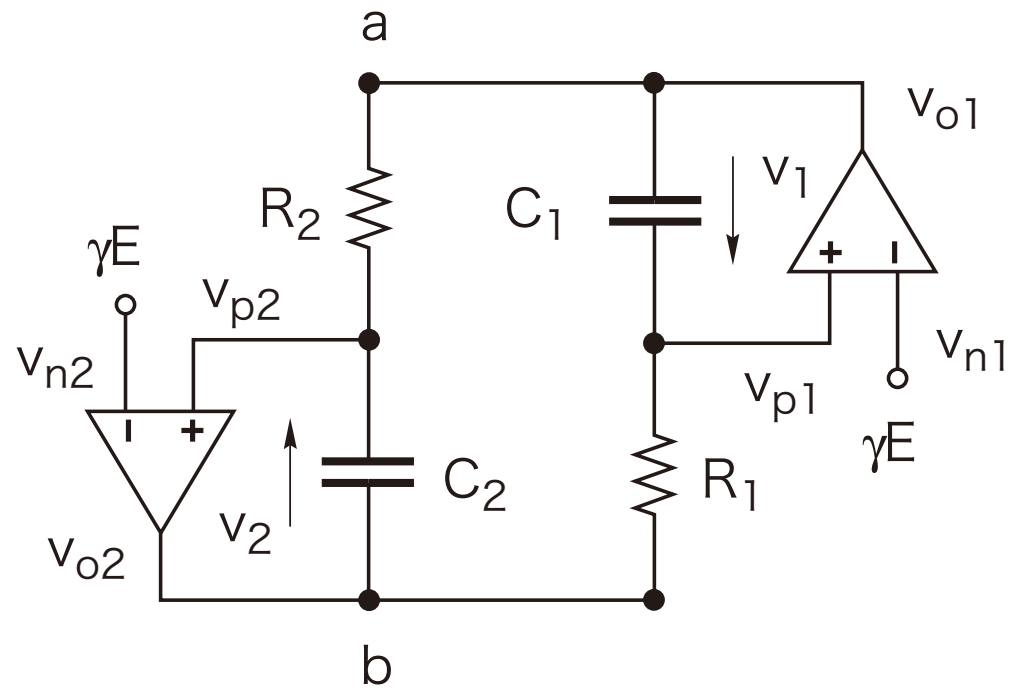
Harmonic Oscillator

6

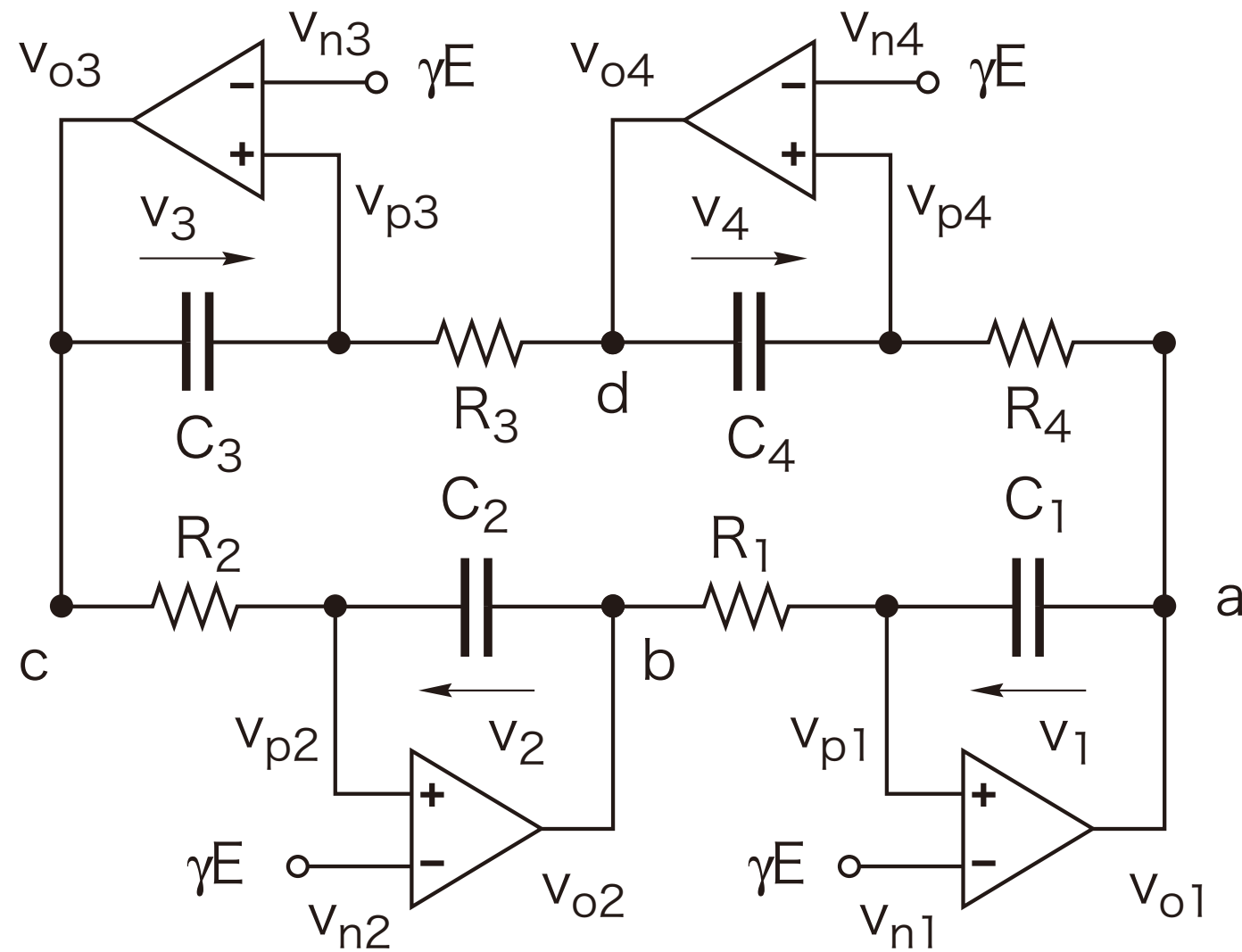


ring connection

6



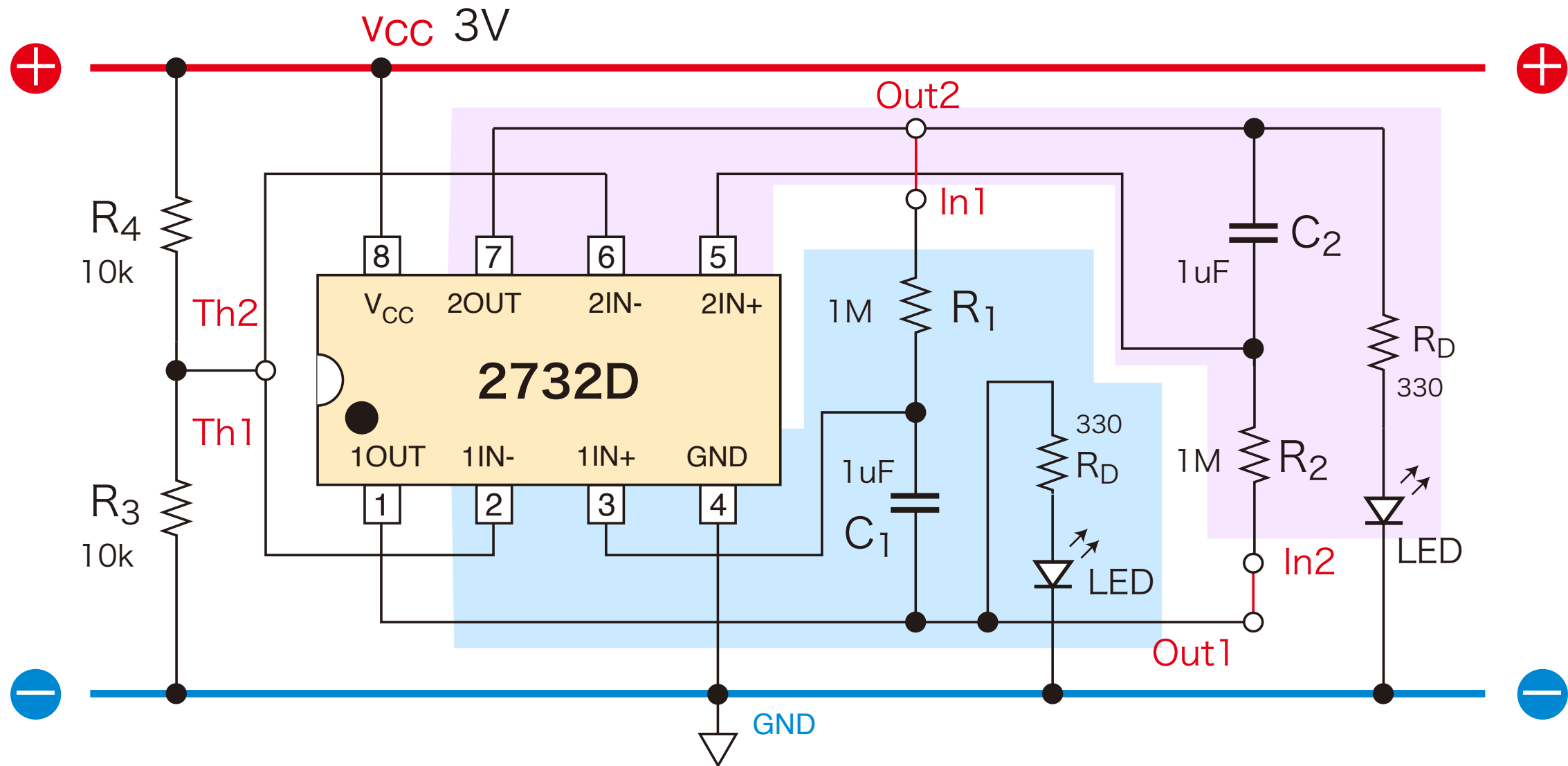
ring connection



Appendix A Experiments

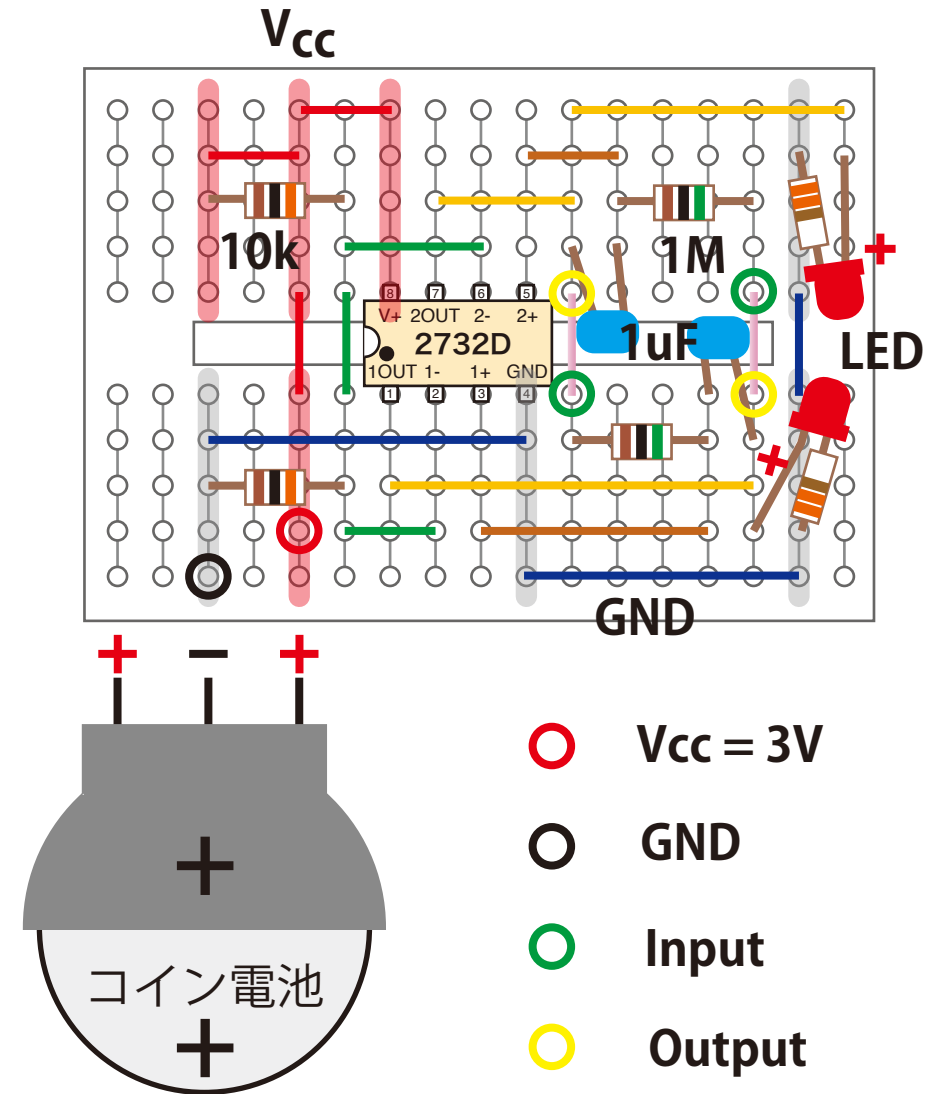
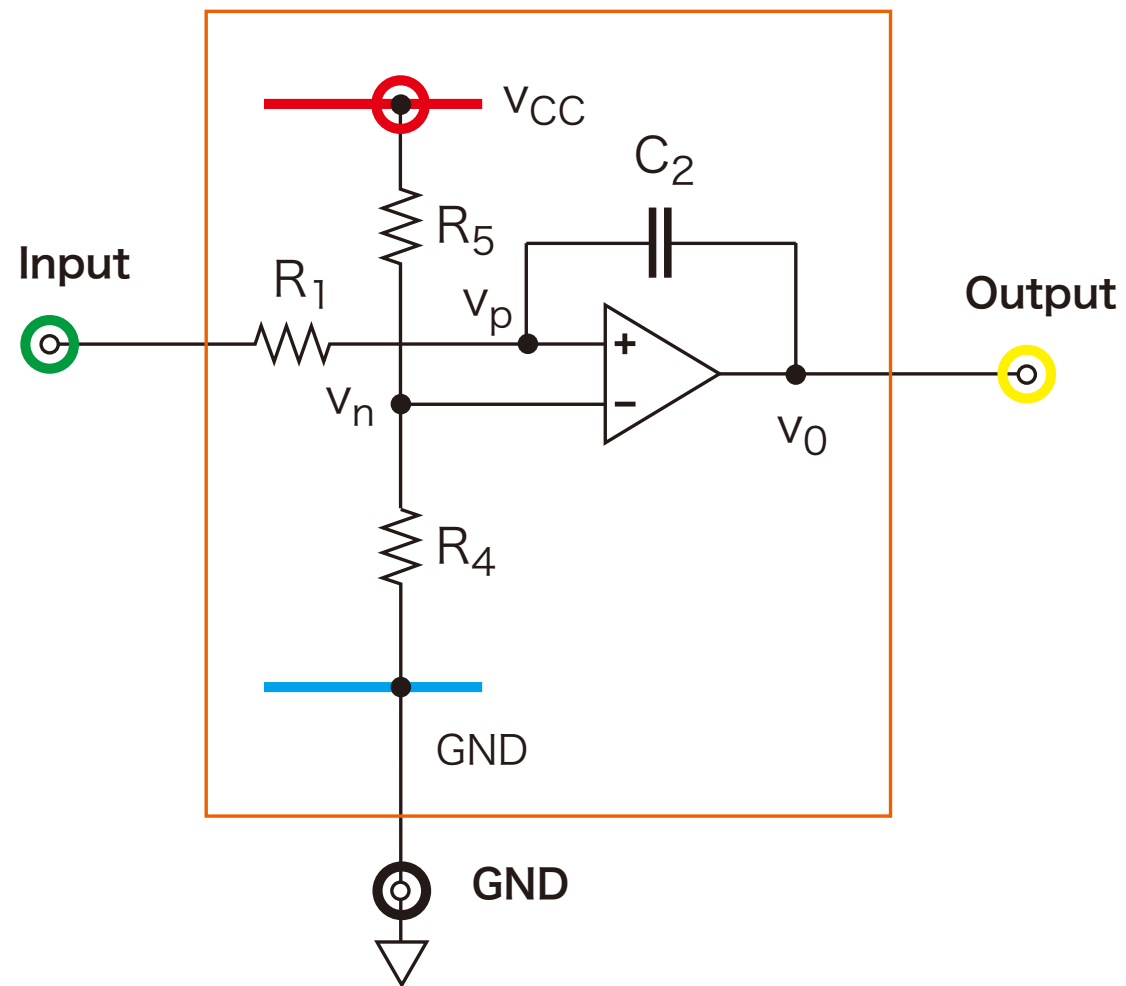
multivibrator

6

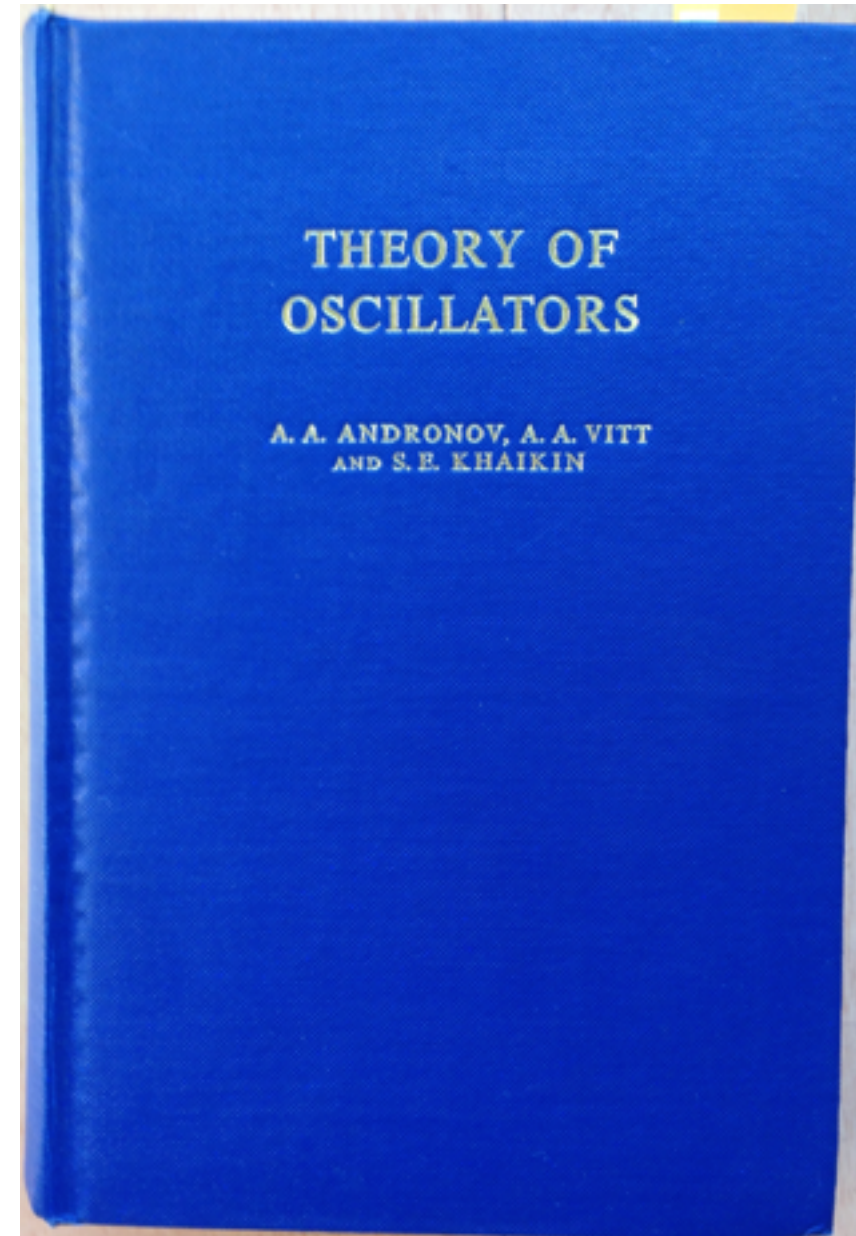
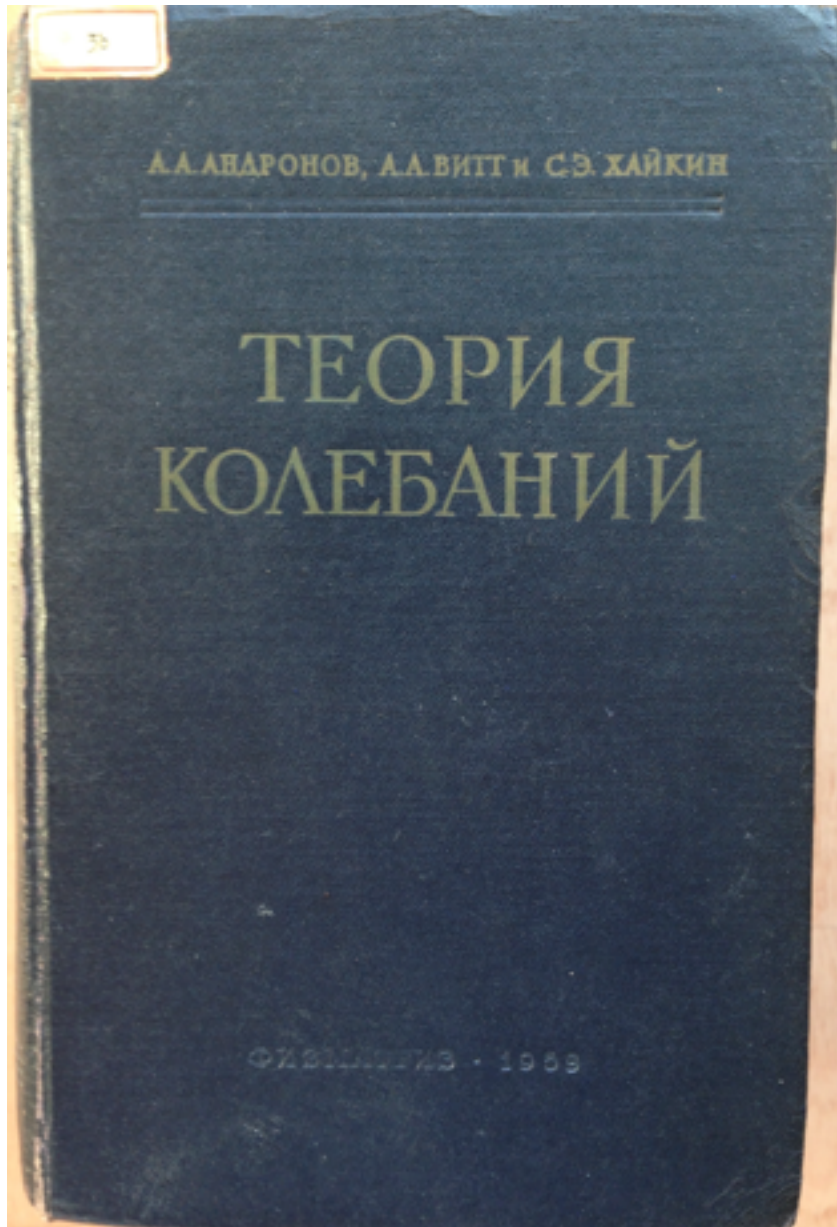


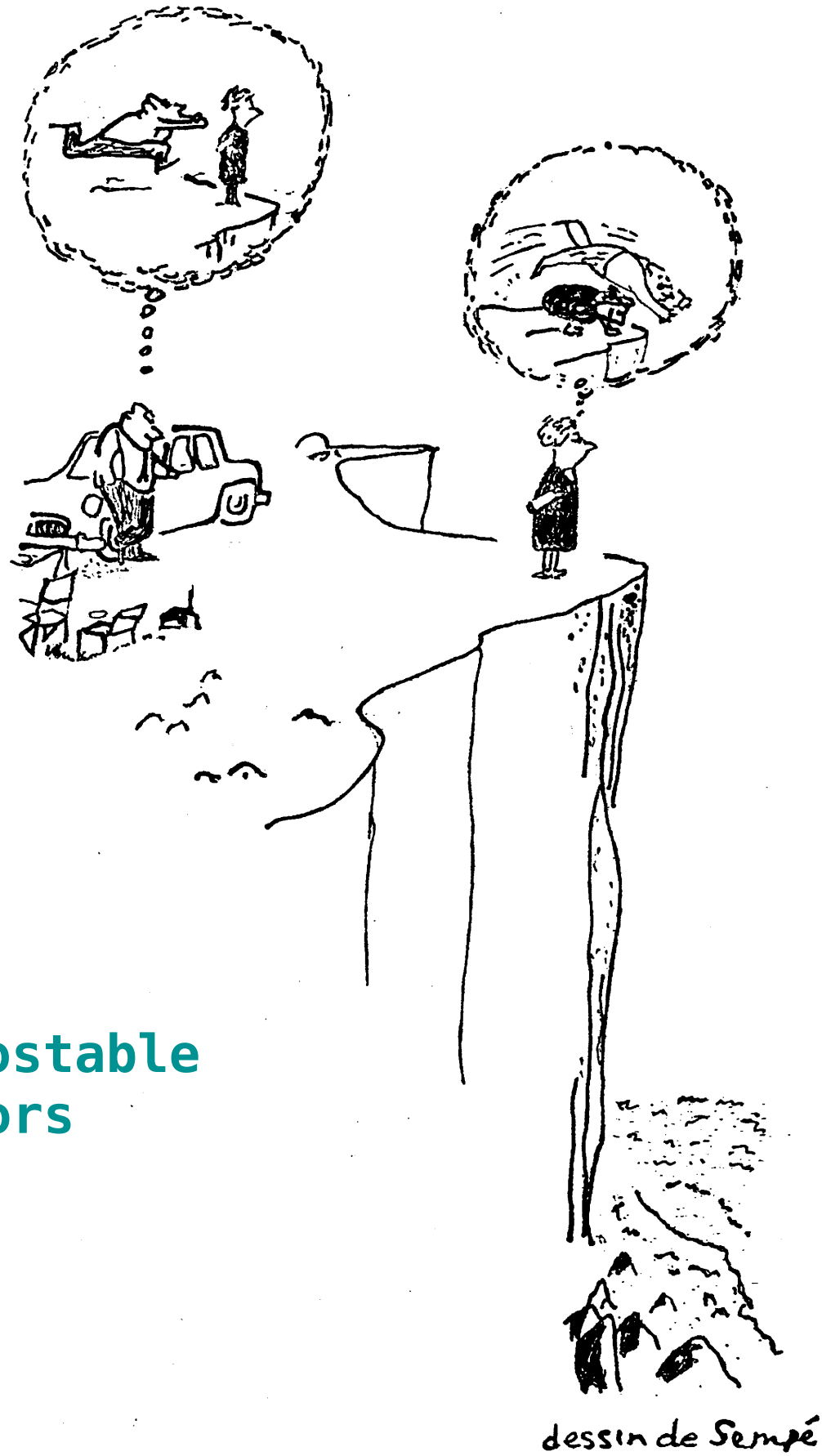
multivibrator

⑥



References





**Controlling monostable
multivibrators**