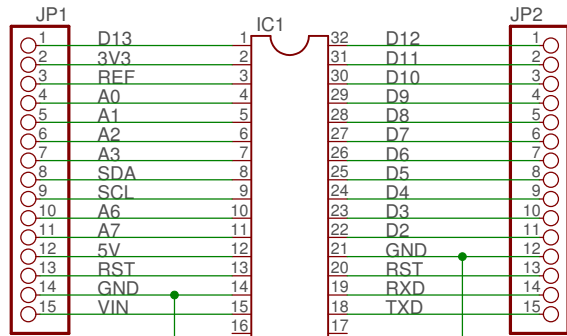
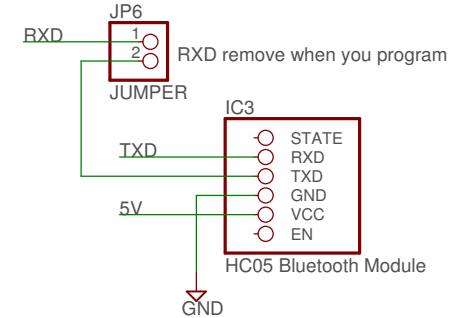
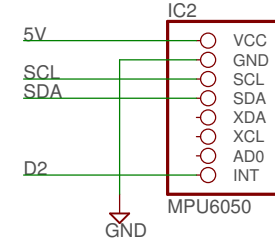
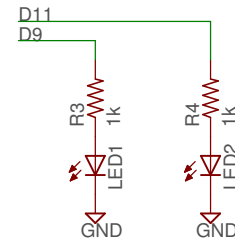
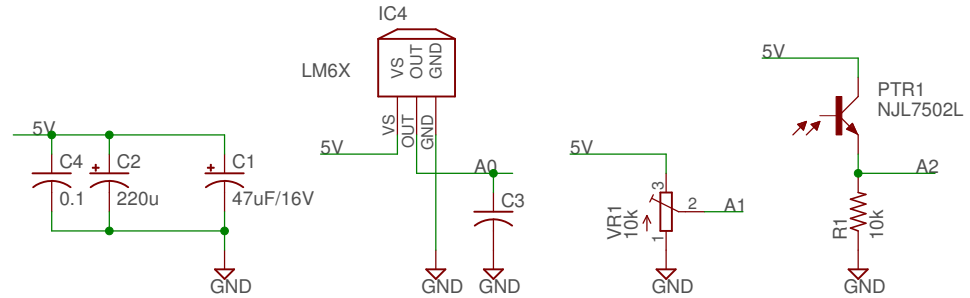


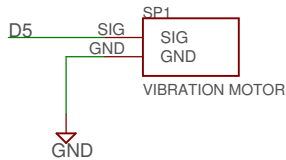
- \*LM61 analog(A0)
- \*VR(10k) analog(A1)
- PhotoTr. analog(A2)
- \*MPU6050 i2c(A4,A5)(SDA,SCL)
- \*DC-MOTOR PWM(D5)
- \*SERVO PWM(D6)
- DS18B20 1-wire(D10)
- LED digital(D9,D11)
- \*BLUETOOTH TXD,RXD,INT1(0:RX,1:TX,D2)



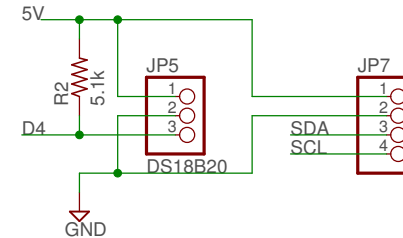
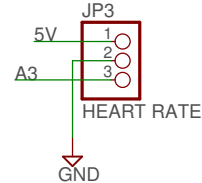
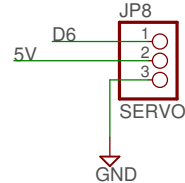
Arduino NANO/ATMega328P 16MHz



SoftwareSerial(10,11) = (TX,RX) HC-05



BROWN: GND  
RED: 5V  
ORANGE: SIG



kouza\_zenki03

2017/03/29 9:34

Sheet: 1/1